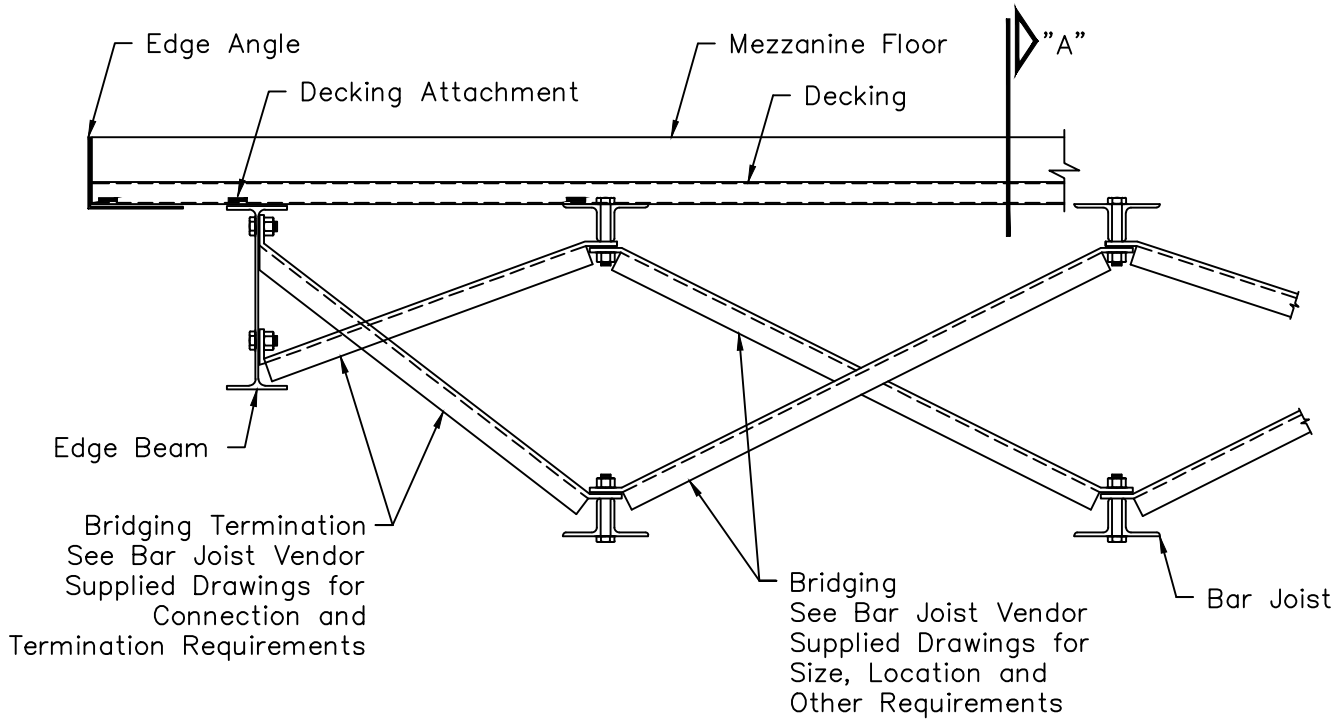


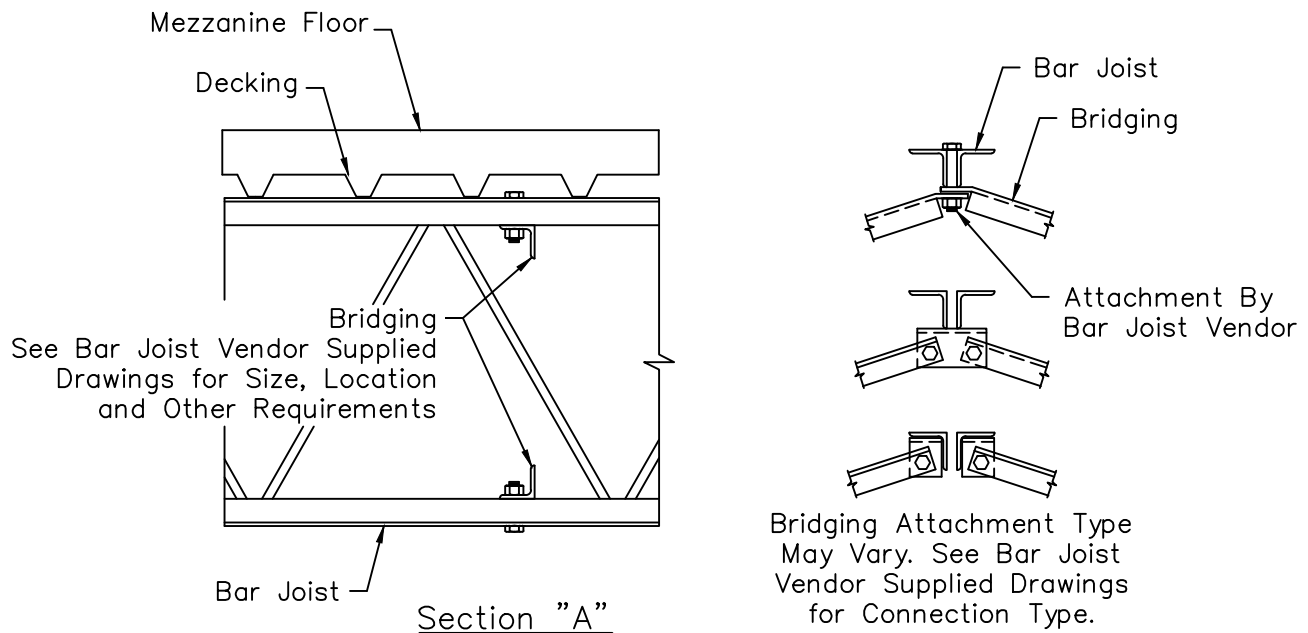
Bar Joist with Bolted Bridging General Details

Note:

- 1) Reference Bar Joist Vendor Supplied Drawings for applicable SJI Erection and Installation Notes, Bridging Type, Location, Field Welding Requirements, Connections and Termination Details.
- 2) If any variation of Detail is Noted from Bar Joist Vendor Drawings and those of the Metal Building Supplier, Contact the Building Manufacturers Field Services Staff for direction.
- 3) Bar Joist are Designed for Referenced Loadings and to comply with CI-Cl Spacing Noted on Bar Joist Vendor Drawings. Joist are not Designed to Standard SJI Designations unless Explicitly Noted.



Section At Edge Beam



Section "A"