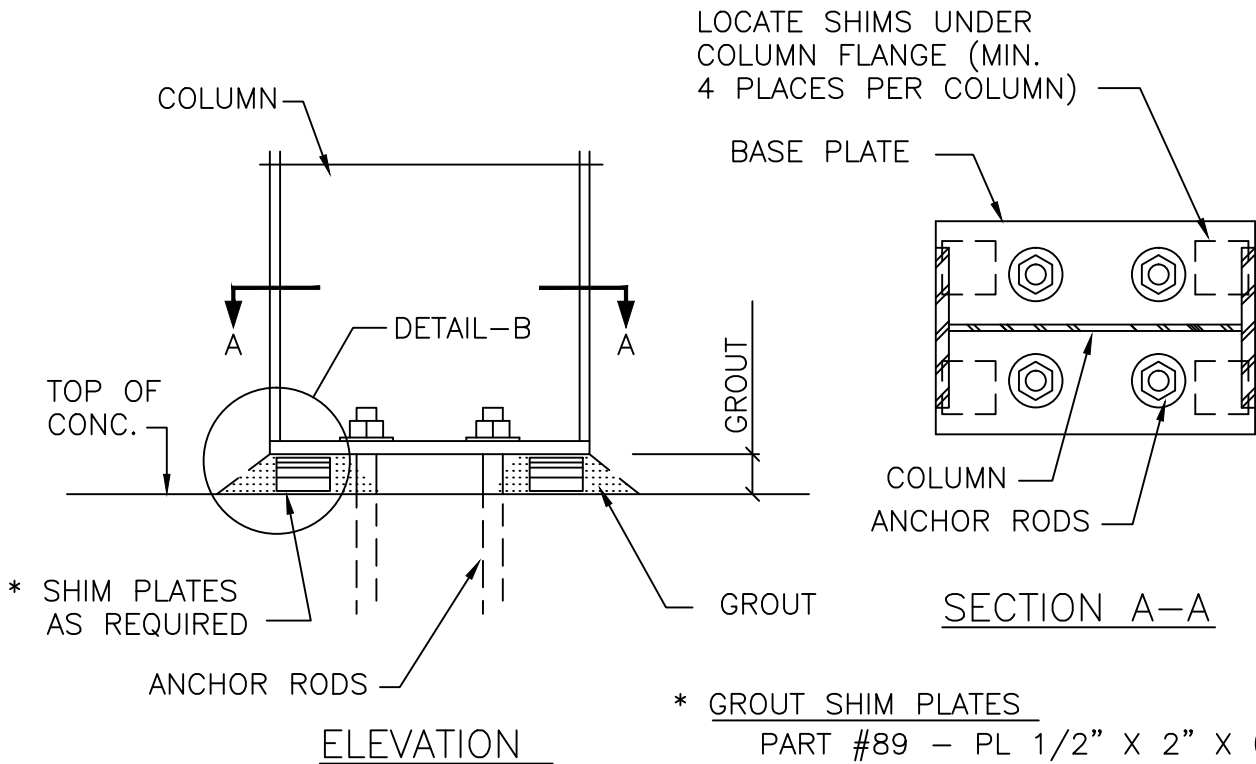


PRIMARY FRAME DETAIL
GROUT DETAILS WITH SHIM PLATES

SHT. NO.
PF01004

DATE
JUL. 05

REV.
00



* GROUT SHIM PLATES

PART #89 - PL 1/2" X 2" X 0'-2"

PART #90 - PL 1/4" X 2" X 0'-2"

PART #91 - PL 1/8" X 2" X 0'-2"

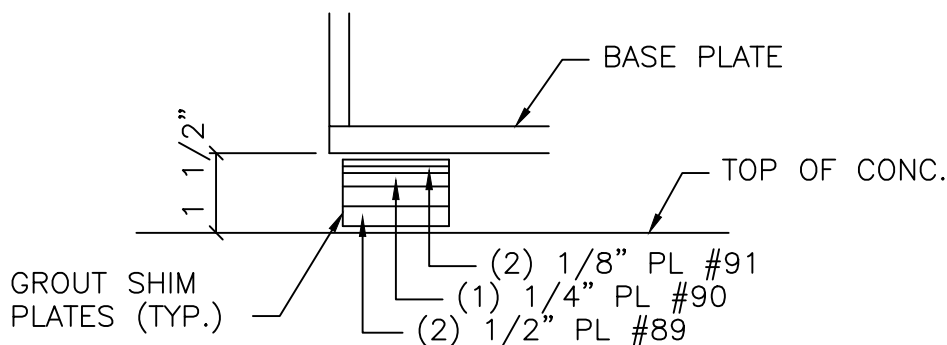
ERECTOR NOTE:

EXCEPT AS NOTED, ALL COLUMNS IN BUILDING ARE TO RECEIVE GROUT.

GROUT IS NOT FURNISHED OR INSTALLED BY CECO.

INSTALL SHIMS AS REQUIRED TO HOLD BASE PLATE AT CORRECT ELEVATION.

AFTER BUILDING IS PLUMBED AND SHEETED, PACK NON-SHRINK GROUT UNDER EACH COLUMN BASE PLATE.



DETAIL-B
(EXAMPLE: WITH 1 1/2" GROUT)