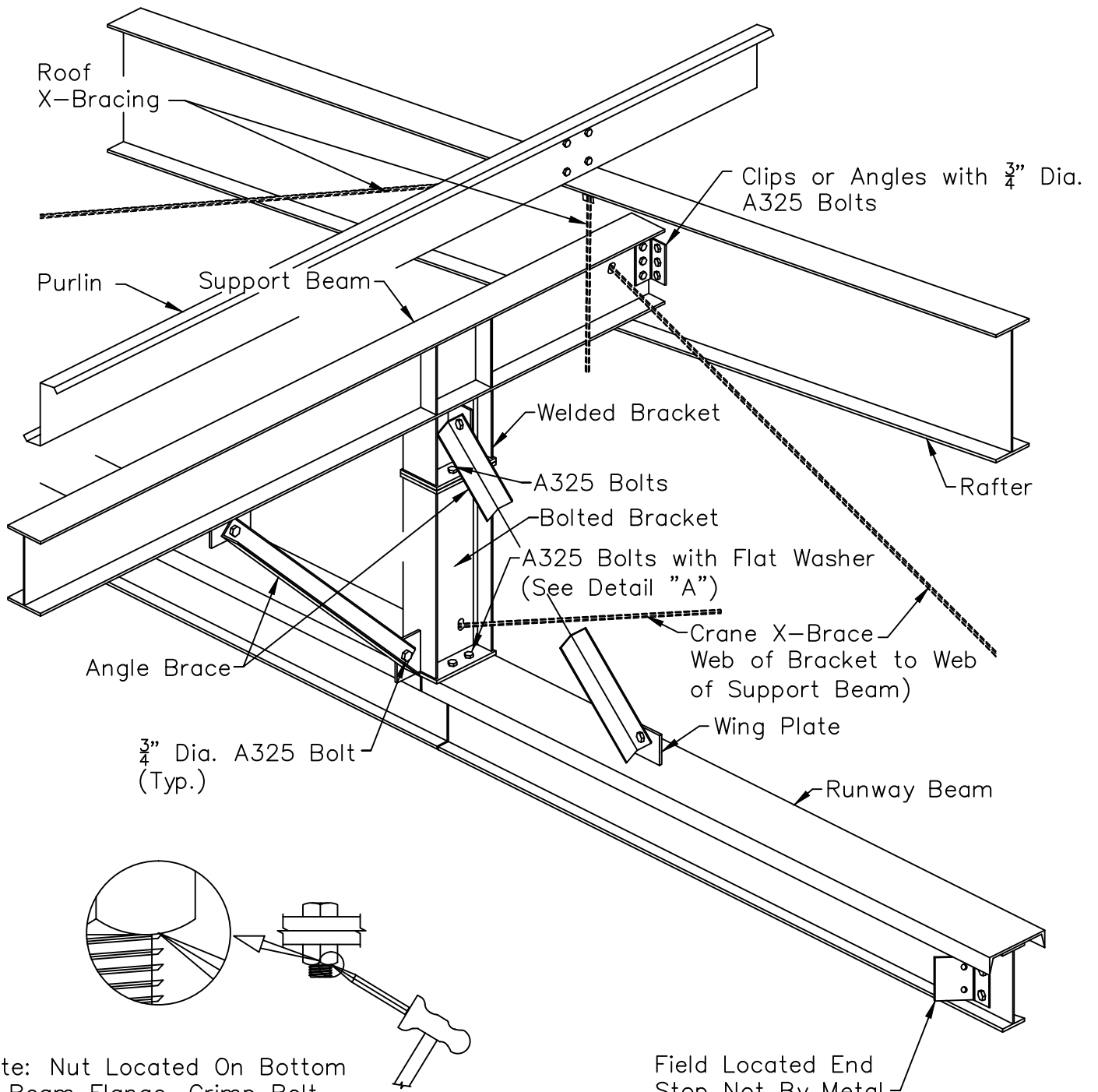


# Primary Frame Detail Underhung Crane-Parallel with Frame



Note: Nut Located On Bottom Of Beam Flange. Crimp Bolt Threads and Nut Threads as Shown.

Detail "A"

Field Located End Stop Not By Metal Bldg Mfr.

Notes: Frame Shapes May Vary  
See Crane Elevation For Additional Information