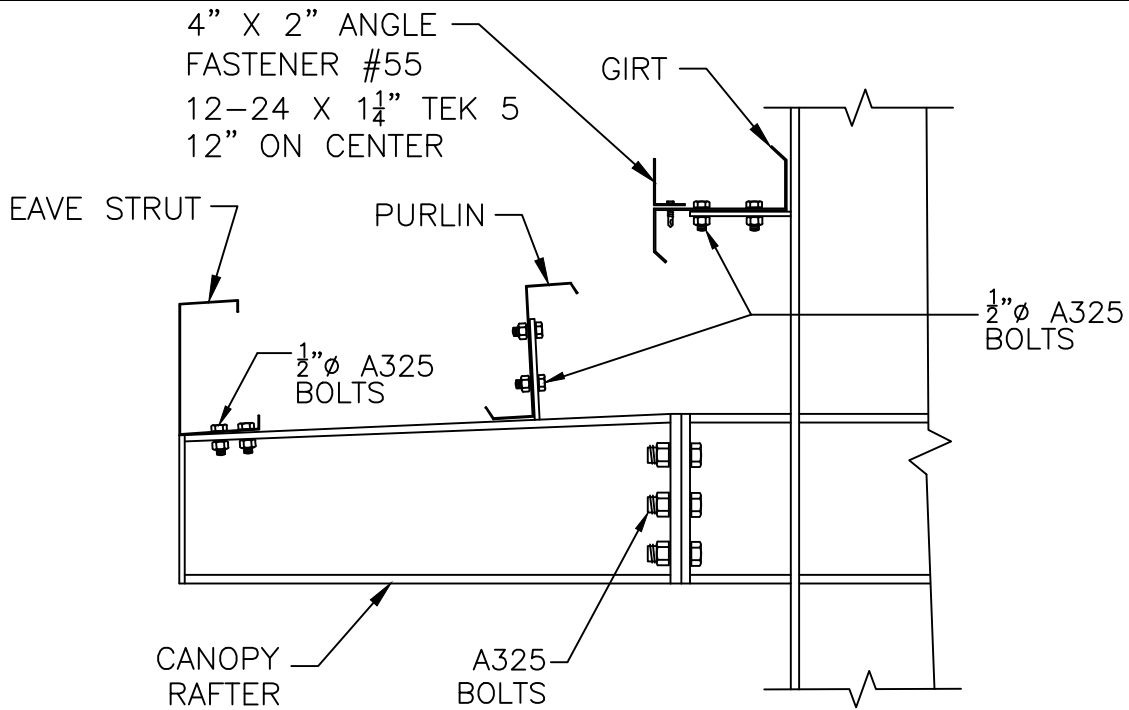


PRIMARY FRAME DETAIL
BELOW EAVE CANOPY - BY-PASS

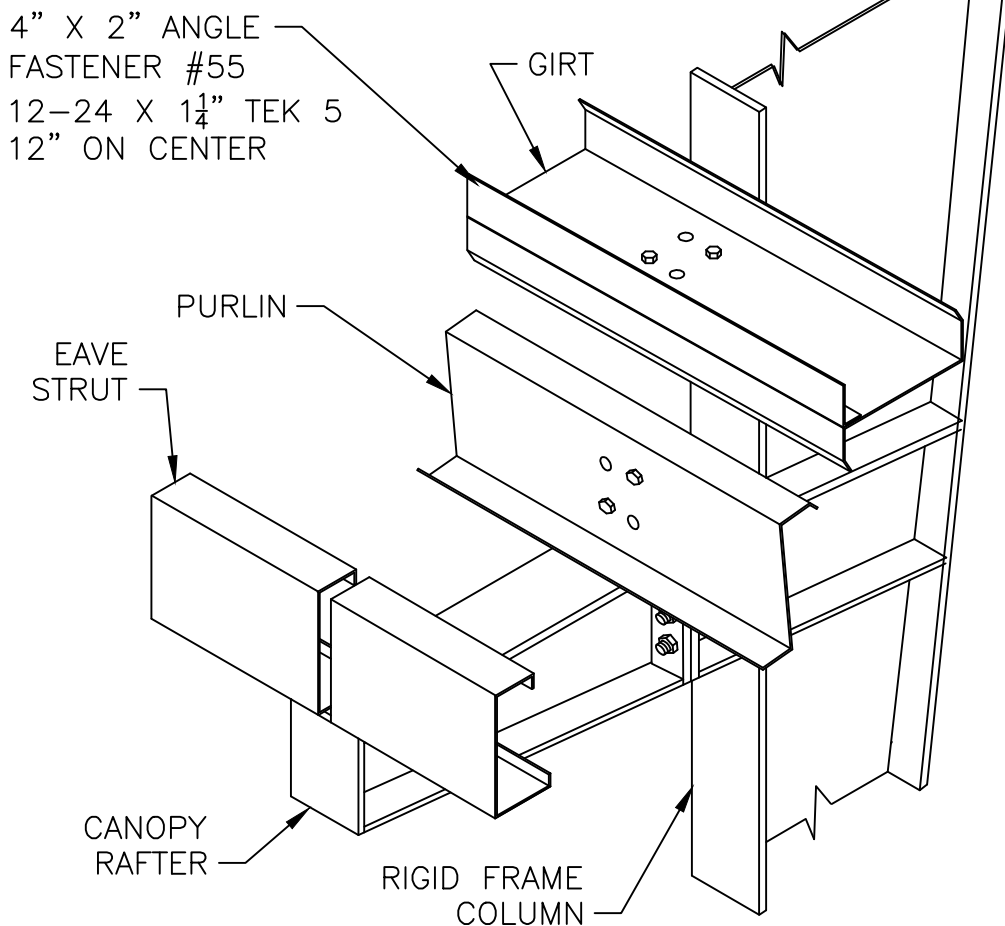
SHT. NO.
PF05102

DATE
Feb '11

REV.
01



DETAIL AT WALL LINE



NOTES: FRAME SHAPES VARY.
SEE FRAME CROSS SECTIONS FOR ADDITIONAL FRAME INFORMATION.
SEE ERECTION DRAWINGS FOR COLDFORM PIECE MARKS.