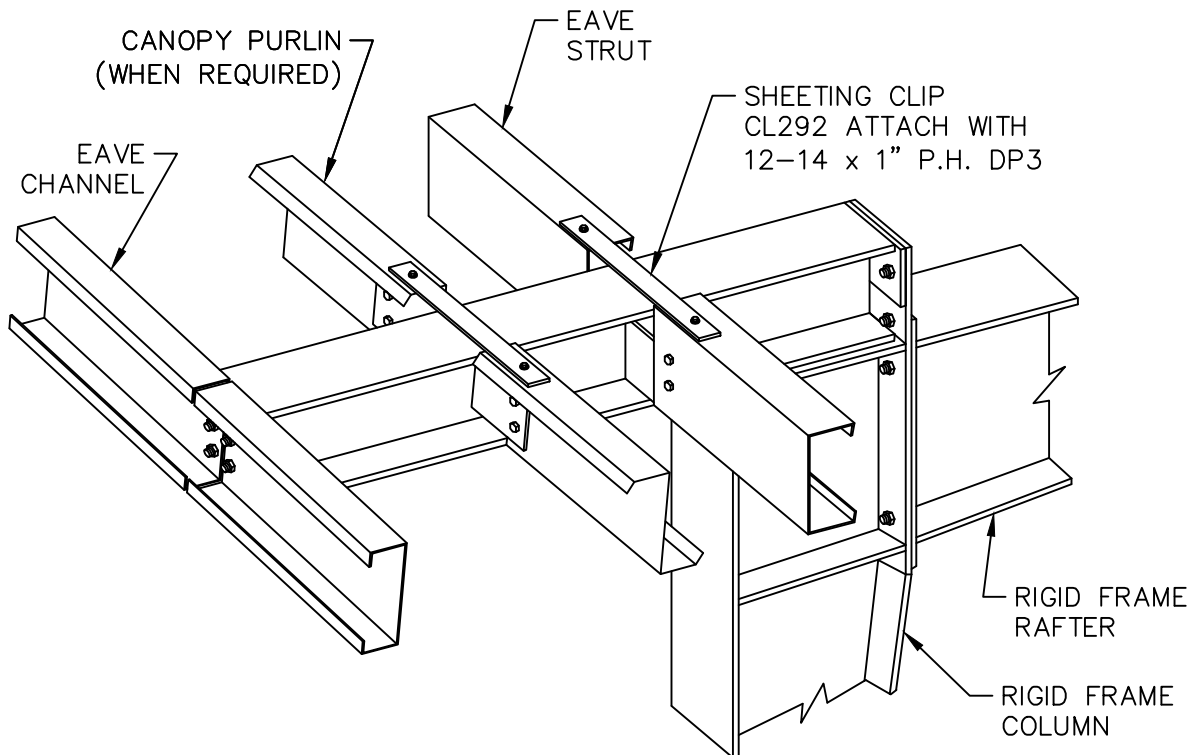
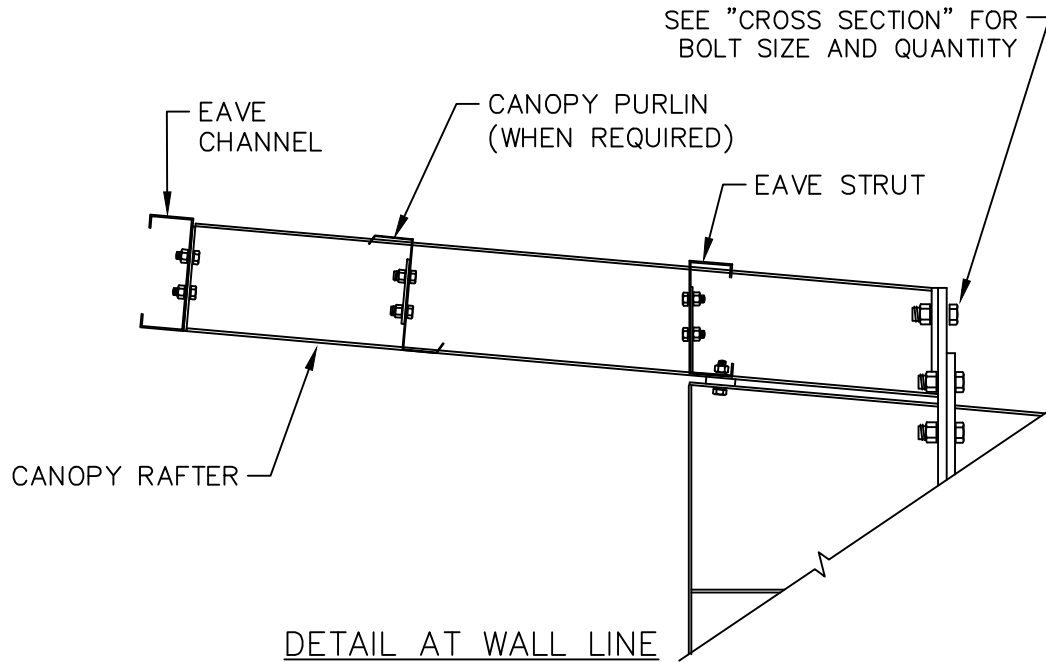


Flush Canopy - High Side Eave - Welded Clip Interior Column - Flush Girt

Page PF05050

Date Feb '11 Rev. 00

COLUMN DEPTH IS LESS THAN 1'-3"



NOTES: ALL BOLTS TO BE $\frac{1}{2}$ " ϕ UNLESS NOTED.
FOR REQUIRED LENGTH REFER TO GRIP
TABLE ON CUSTOM ERECTION DRAWINGS.

CANOPY RAFTER CONNECTIONS AND STIFFENERS
DEPICTED WILL VARY PER DESIGN REQUIREMENTS.