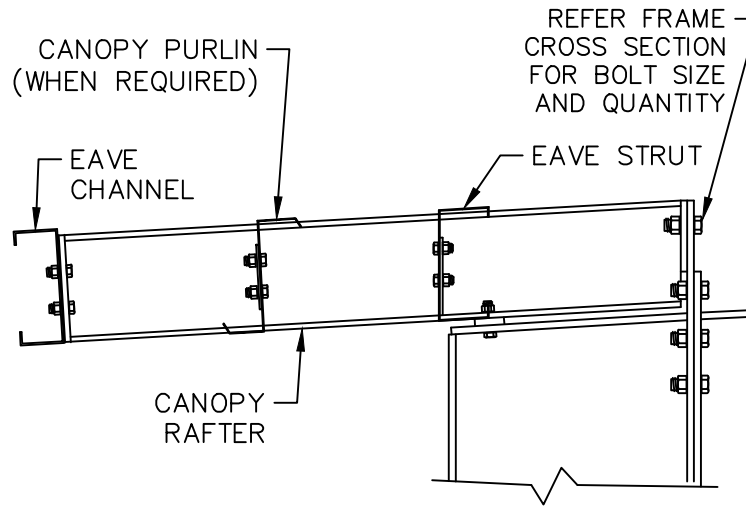


Flush Canopy - At Eave - Welded Clip Interior Column - Flush Girt

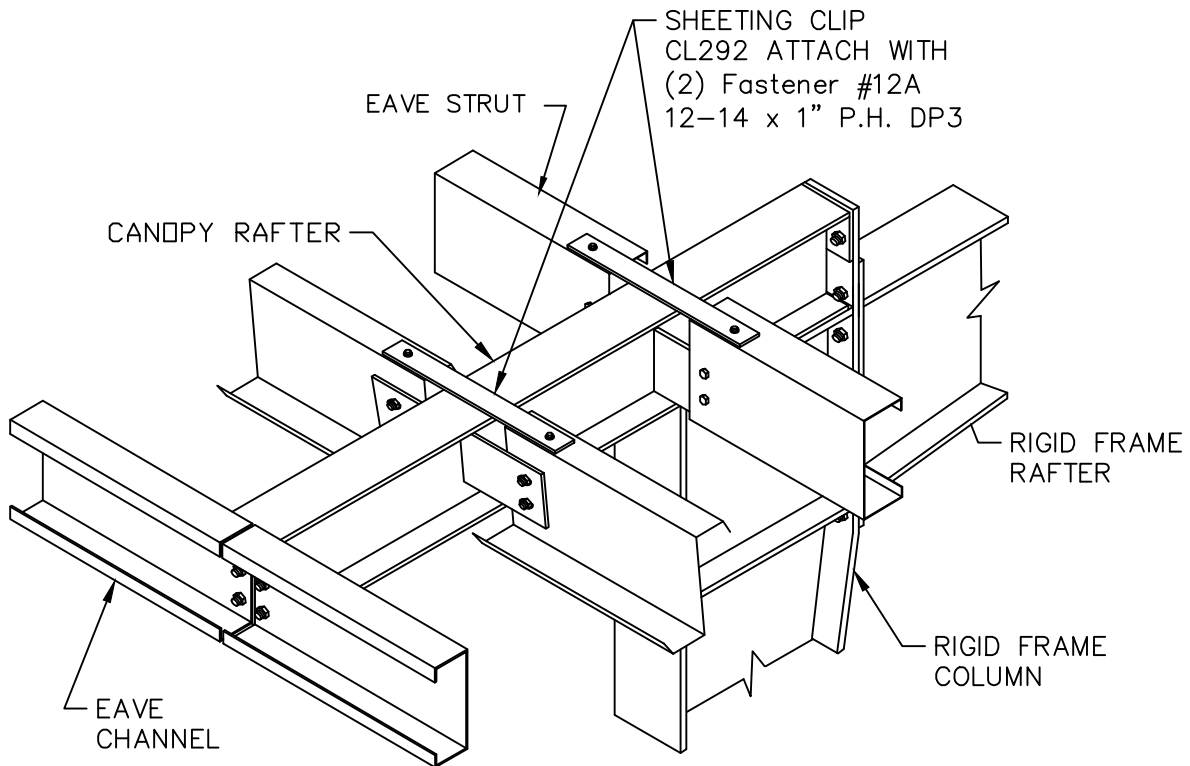
Page PF05040

Date Feb '11 Rev. 00

COLUMN DEPTH IS LESS THAN 1'-3"



DETAIL AT WALL LINE



NOTES: ALL BOLTS TO BE $\frac{1}{2}"\phi$ UNLESS NOTED.
FOR REQUIRED LENGTH REFER TO GRIP
TABLE ON CUSTOM ERECTION DRAWINGS.

CANOPY RAFTER CONNECTIONS AND STIFFENERS
DEPICTED WILL VARY PER DESIGN REQUIREMENTS.