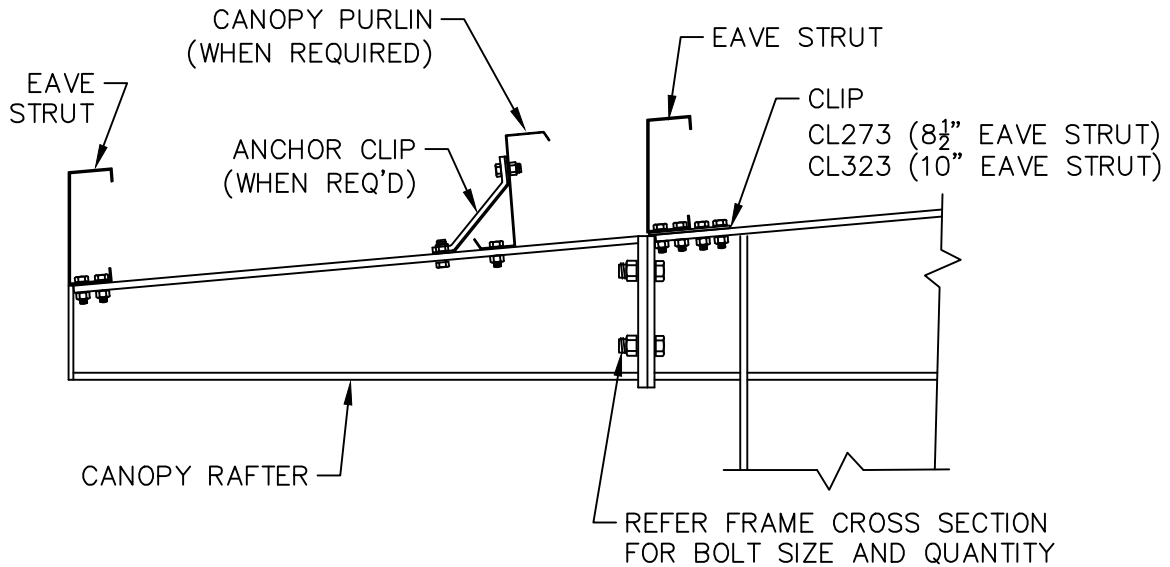


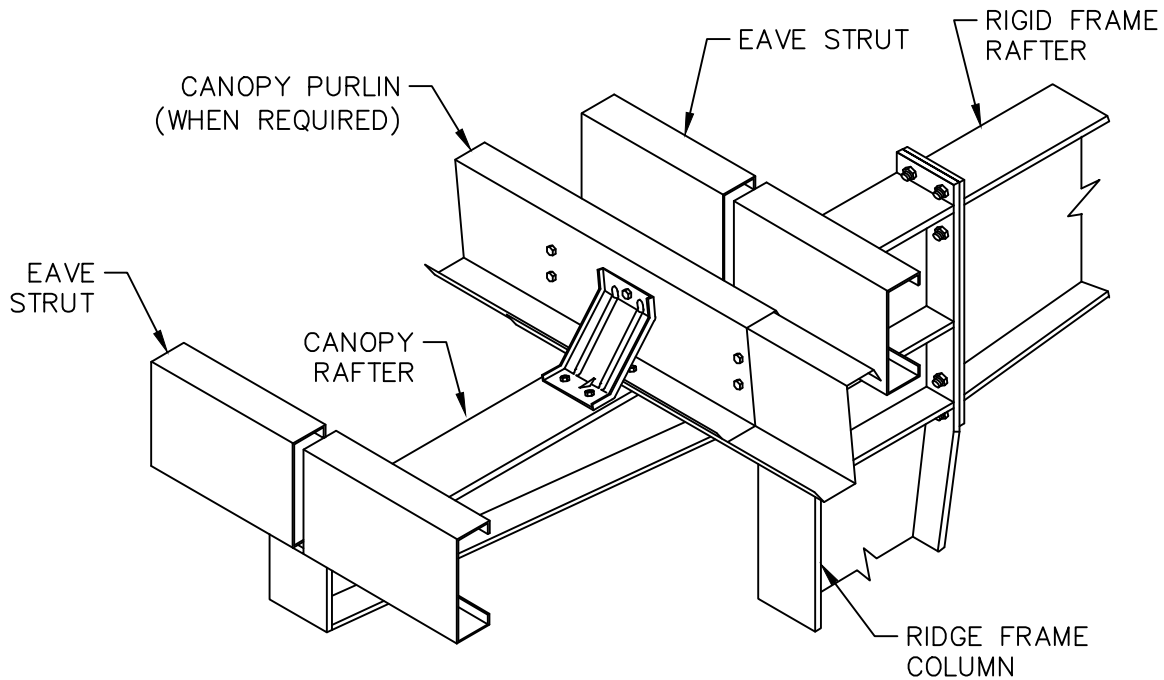
# Structural Canopy - At Eave Interior Column - By-Pass Girt

Page PF05001

Date Jun '11 Rev. 03



DETAIL AT WALL LINE



NOTES: ALL BOLTS TO BE  $\frac{1}{2}$ "  $\phi$  UNLESS NOTED.  
FOR REQUIRED LENGTH REFER TO GRIP  
TABLE ON CUSTOM ERECTION DRAWINGS.

CANOPY RAFTER CONNECTIONS AND STIFFENERS  
DEPICTED WILL VARY PER DESIGN REQUIREMENTS.