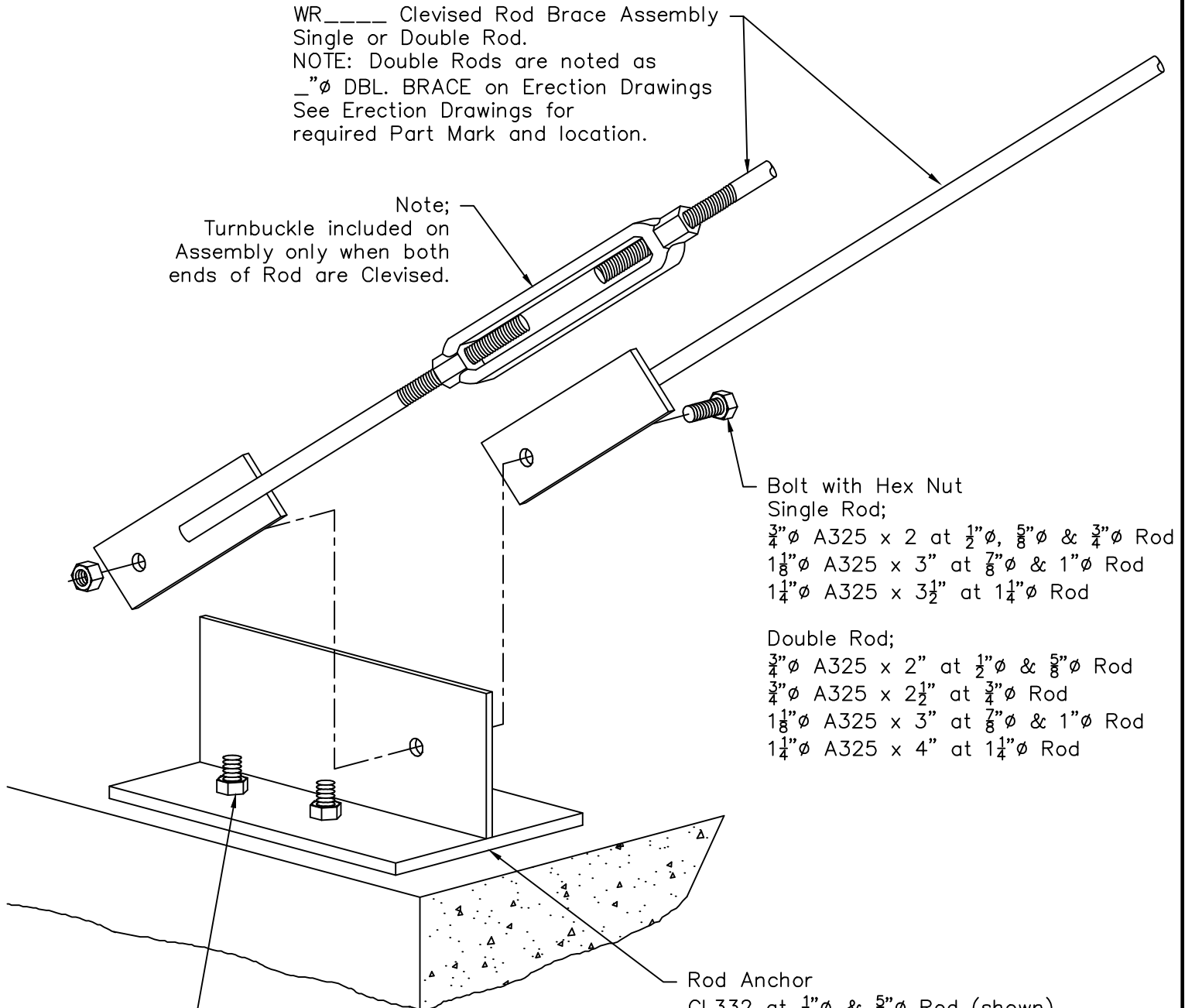


# Clevised Rod Brace Attachment at Brace Anchor

WR\_\_\_\_\_ Clevised Rod Brace Assembly  
Single or Double Rod.  
NOTE: Double Rods are noted as  
\_” $\phi$  DBL. BRACE on Erection Drawings  
See Erection Drawings for  
required Part Mark and location.

Note;  
Turnbuckle included on  
Assembly only when both  
ends of Rod are Clevised.



Bolt with Hex Nut  
Single Rod;  
 $\frac{3}{4}$ " $\phi$  A325 x 2" at  $\frac{1}{2}$ " $\phi$ ,  $\frac{5}{8}$ " $\phi$  &  $\frac{3}{4}$ " $\phi$  Rod  
 $1\frac{1}{8}$ " $\phi$  A325 x 3" at  $\frac{7}{8}$ " $\phi$  & 1" $\phi$  Rod  
 $1\frac{1}{4}$ " $\phi$  A325 x 3 $\frac{1}{2}$ " at  $1\frac{1}{4}$ " $\phi$  Rod

Double Rod;  
 $\frac{3}{4}$ " $\phi$  A325 x 2" at  $\frac{1}{2}$ " $\phi$  &  $\frac{5}{8}$ " $\phi$  Rod  
 $\frac{3}{4}$ " $\phi$  A325 x 2 $\frac{1}{2}$ " at  $\frac{3}{4}$ " $\phi$  Rod  
 $1\frac{1}{8}$ " $\phi$  A325 x 3" at  $\frac{7}{8}$ " $\phi$  & 1" $\phi$  Rod  
 $1\frac{1}{4}$ " $\phi$  A325 x 4" at  $1\frac{1}{4}$ " $\phi$  Rod

Rod Anchor  
CL332 at  $\frac{1}{2}$ " $\phi$  &  $\frac{5}{8}$ " $\phi$  Rod (shown)  
CL333 at  $\frac{3}{4}$ " $\phi$  Rod  
CL334 at  $\frac{7}{8}$ " $\phi$  Rod  
CL335 at 1" $\phi$  Rod  
CL336 at  $1\frac{1}{4}$ " $\phi$  Rod  
(See Erection Drawings for  
required Part Mark and location)

Anchor Rods (Not by Bldg Mfr.)  
See "Anchor Rod Setting Plan"  
for Size, Quantities, and Location