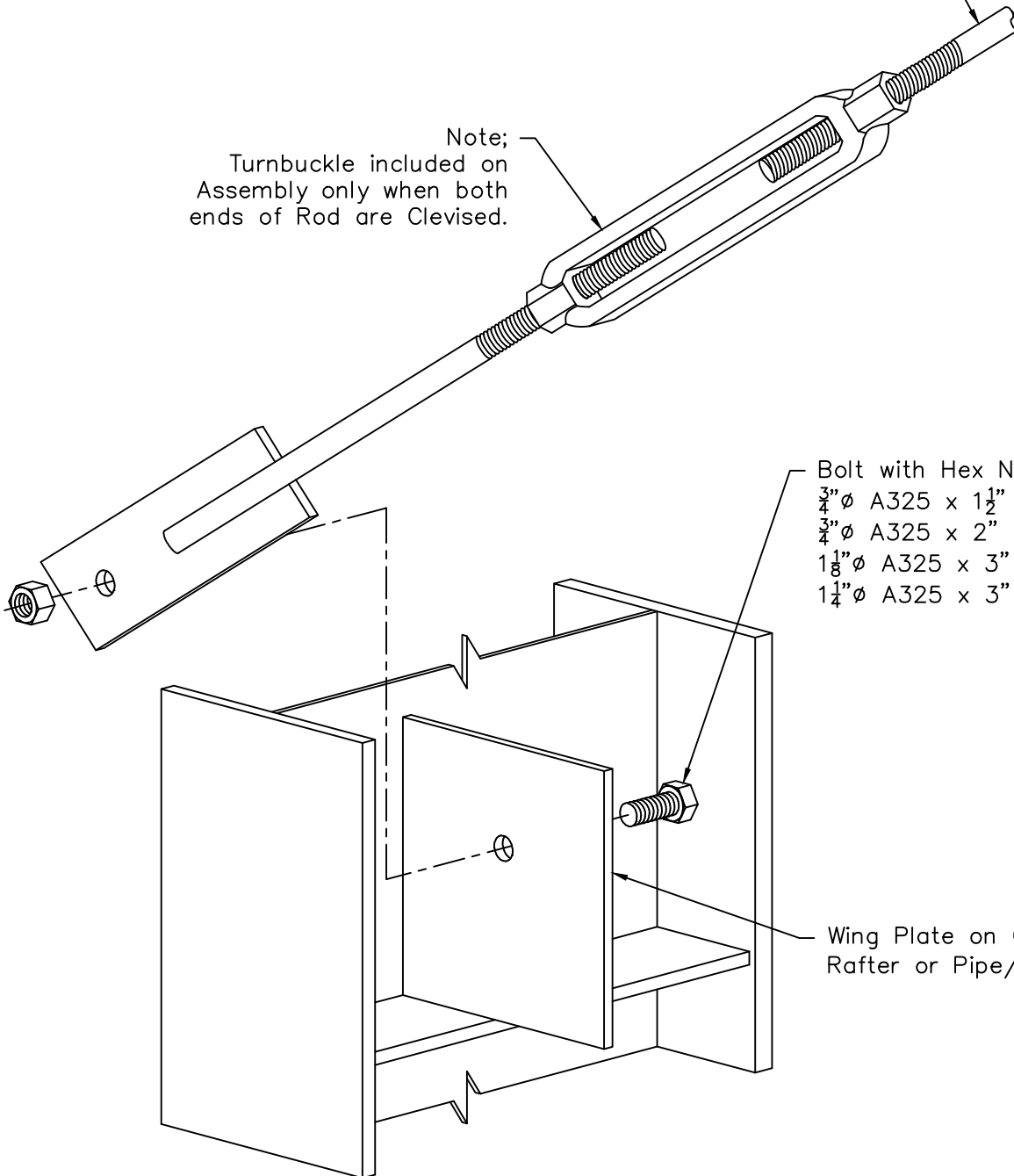


Single Clevised Rod Brace Attachment

WR_____ Clevised Rod Brace Assembly
See Erection Drawings for
required Part Mark and location.

Note;
Turnbuckle included on
Assembly only when both
ends of Rod are Clevised.



Bolt with Hex Nut

- $\frac{3}{4}$ " ϕ A325 x 1 $\frac{1}{2}$ " at $\frac{1}{2}$ " ϕ & $\frac{5}{8}$ " ϕ Rod
- $\frac{3}{4}$ " ϕ A325 x 2" at $\frac{3}{4}$ " ϕ Rod
- 1 $\frac{1}{8}$ " ϕ A325 x 3" at $\frac{7}{8}$ " ϕ & 1" ϕ Rod
- 1 $\frac{1}{4}$ " ϕ A325 x 3" at 1 $\frac{1}{4}$ " ϕ Rod

Wing Plate on Column,
Rafter or Pipe/Tube Strut

ERECTION NOTE: DETAIL SHOWN AT COLUMN AND IS SIMILAR AT
RAFTER OR PIPE/TUBE STRUT.