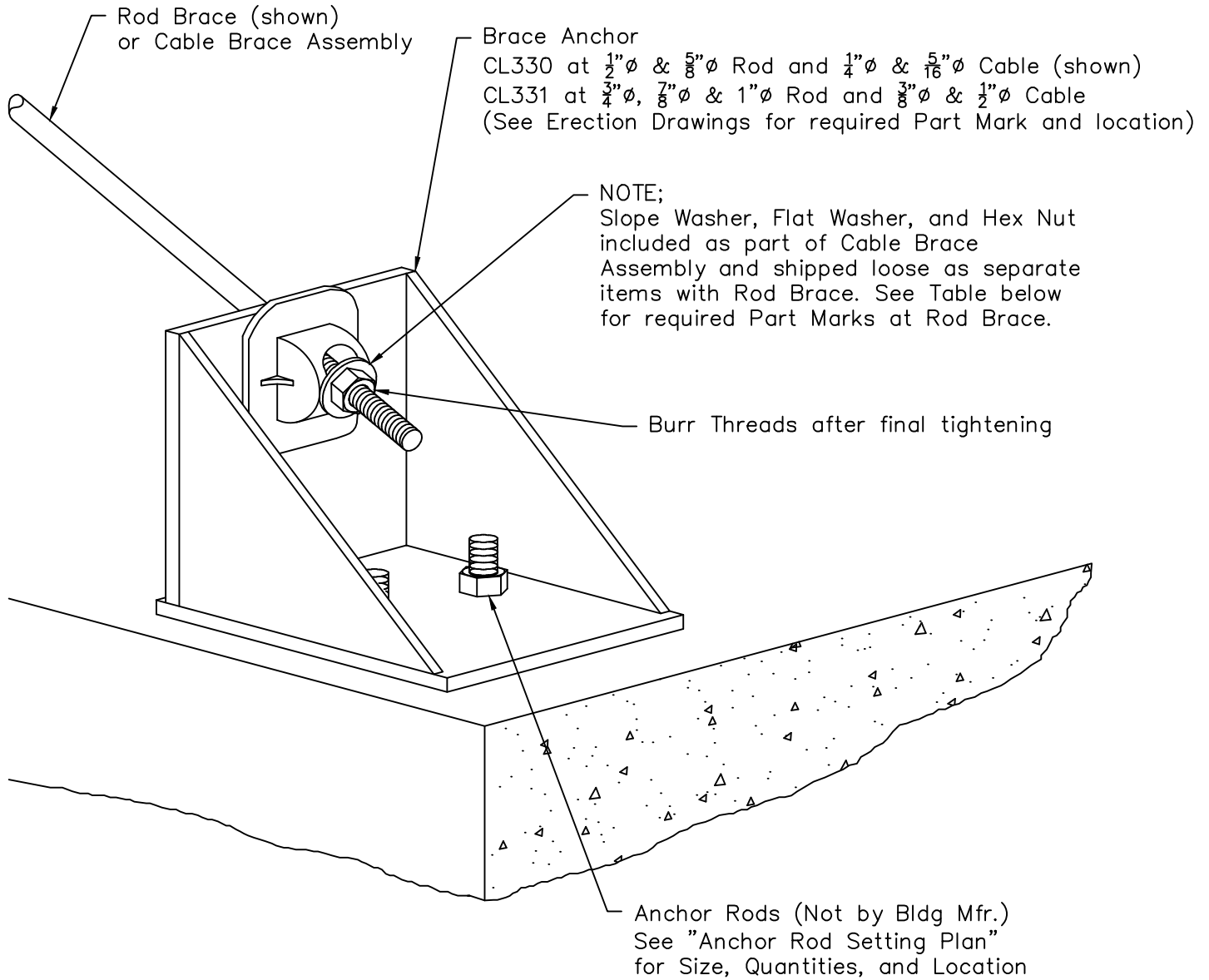


# Rod and Cable Brace Attachment at Brace Anchor



PART MARKS FOR ROD BRACE				
ROD DIAMETER	ROD BRACE	SLOPE WASHER	FLAT WASHER	HEX NUT
$\frac{1}{2}"\phi$	WR08____	WS110	WFH500	HSN500
$\frac{5}{8}"\phi$	WR10____	WS110	WFH625	HSN625
$\frac{3}{4}"\phi$	WR12____	WS120	WFH750	HSN750
$\frac{7}{8}"\phi$	WR14____	WS120	WFH875	HSN875
$1"\phi$	WR16____	WS130	WFH1000	HSN1000