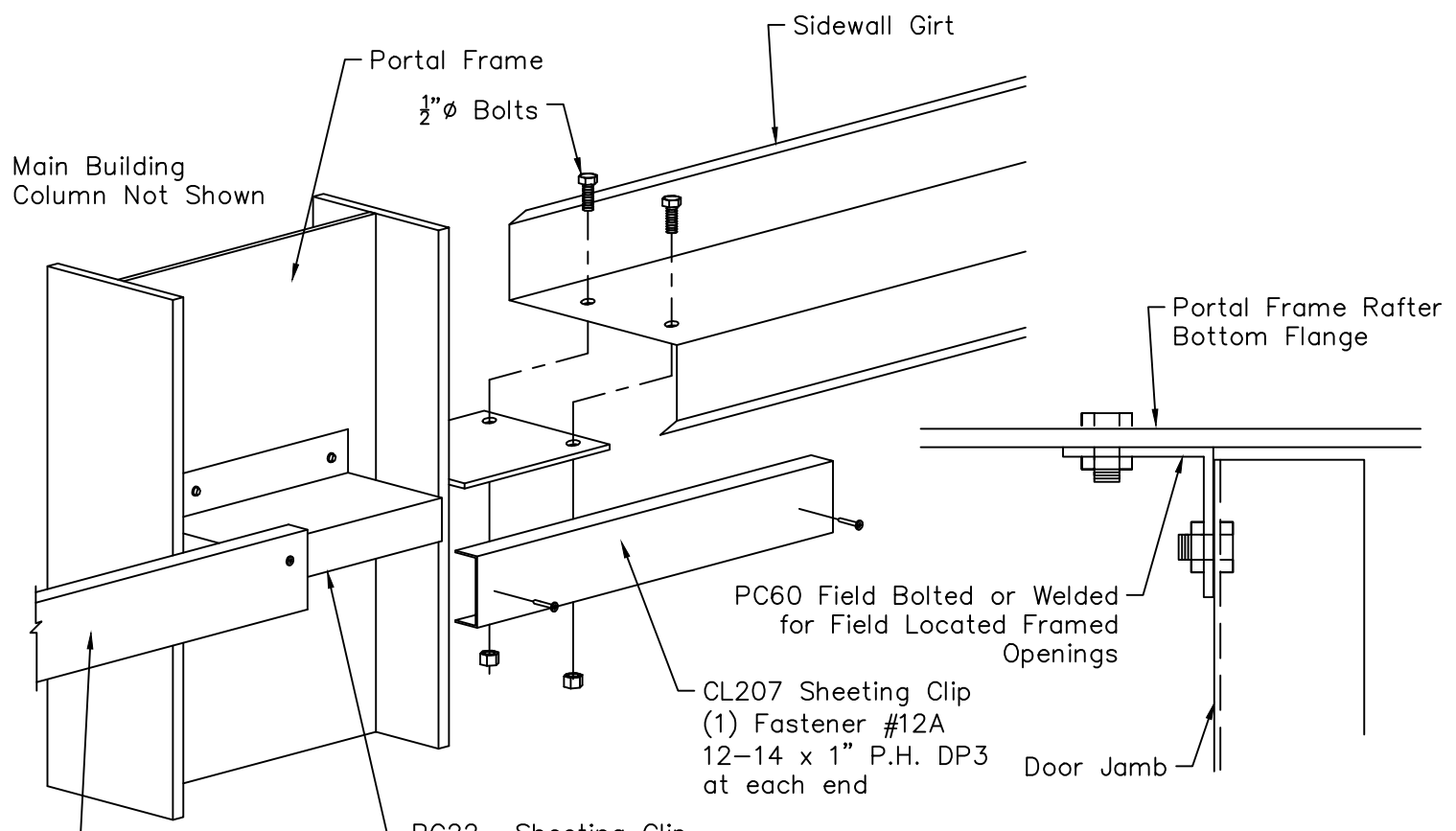


Inset Column Sidewall Girts at Portal Frame



Note: Factory Located Framed Openings Attach to Factory Welded Clips at Portal Frame Rafter

