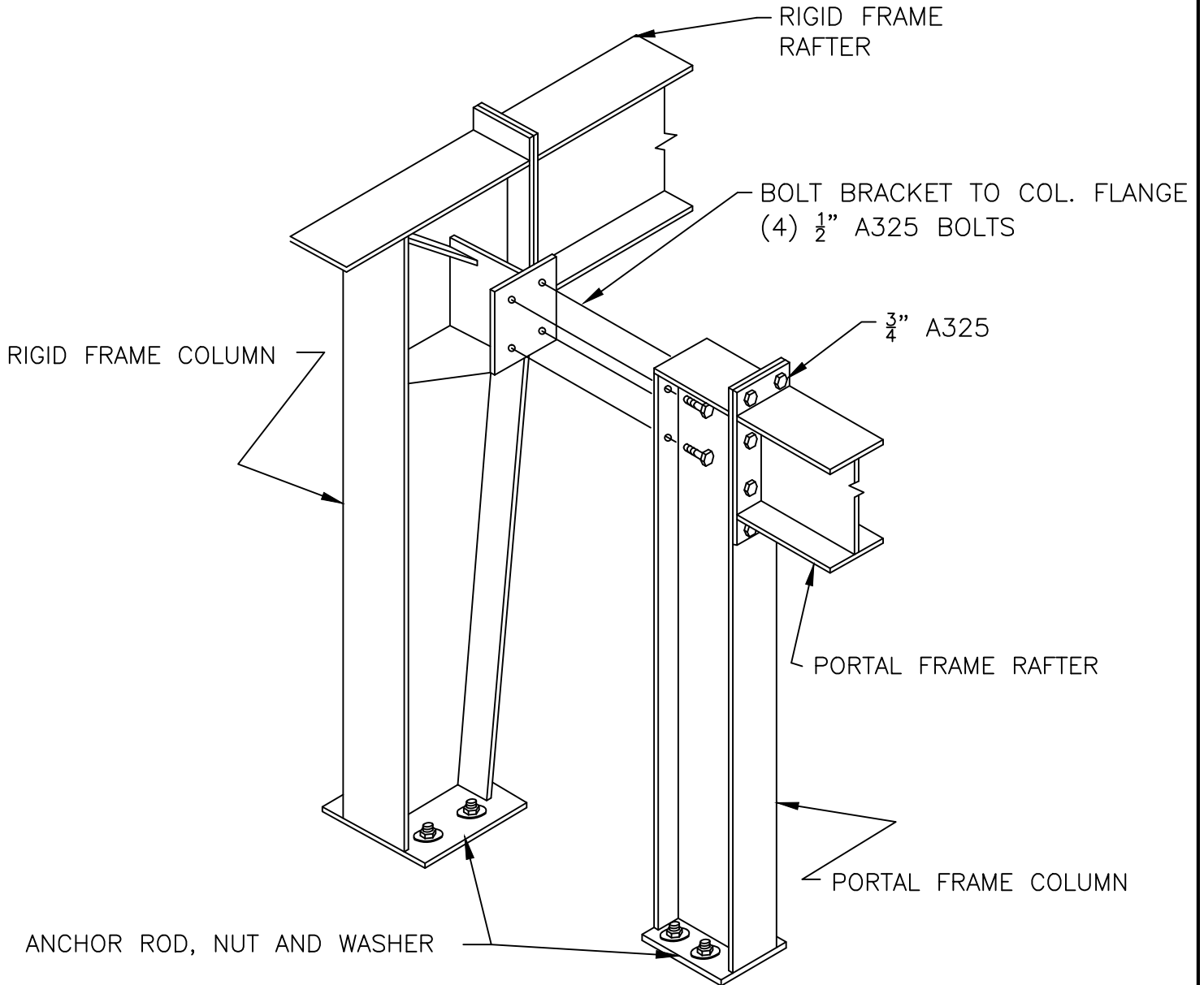


PRIMARY FRAME DETAIL – PORTAL  
FRAME TO FLOOR WITH BRACKET

SHT. NO.  
PF04015

DATE  
APR. 03

REV.  
00



NOTE: FRAME SHAPES MAY VARY.  
SEE FRAMING PLAN FOR PORTAL FRAME LOCATIONS