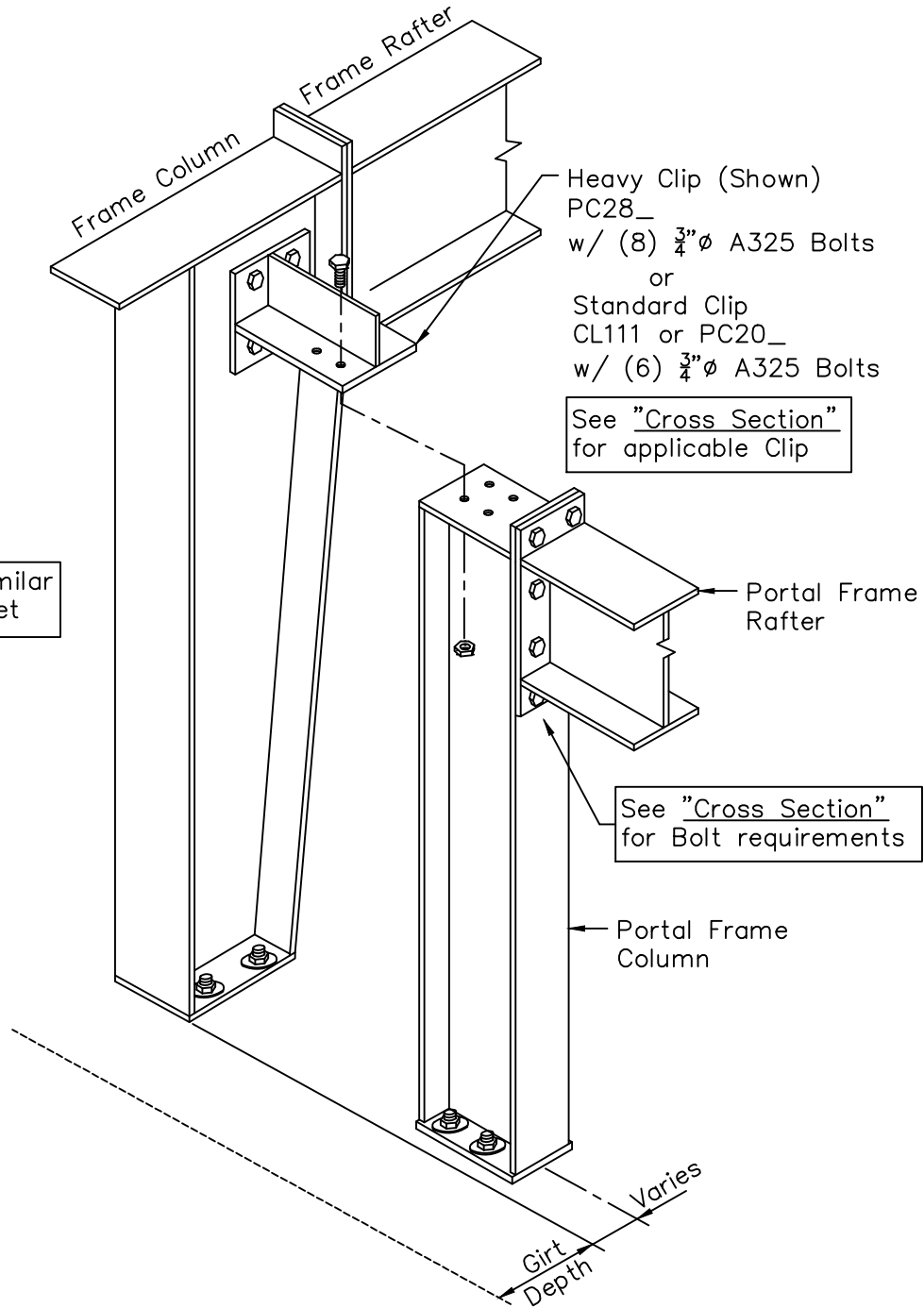


Portal Frame to Floor with Clip - Inside of Girt Line

Bypass shown, similar
for Flush and Inset



NOTE: FRAME SHAPES MAY VARY.
SEE FRAMING PLAN FOR PORTAL FRAME LOCATIONS