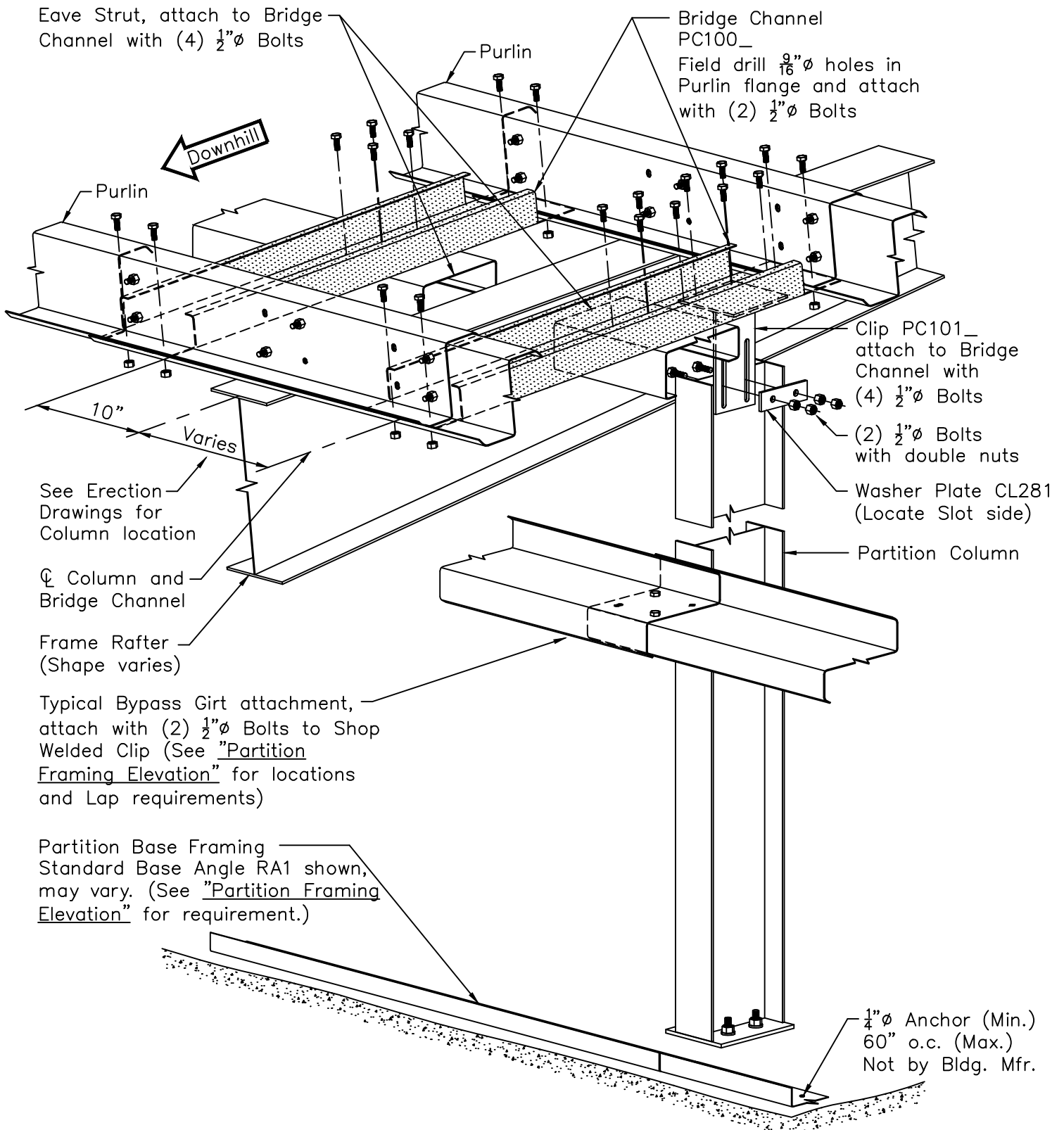


Longitudinal Partition - Bypass

Partition Column located off Frame Line - Low Side Sheeted



Erection Notes

- 1.) Lap and attachment of Purlins varies refer to "Roof Plan" and Lap Details for requirements.
- 2.) Zee Girts shown, attachment similar for Cee or Zee Girt with outer flange toed up.