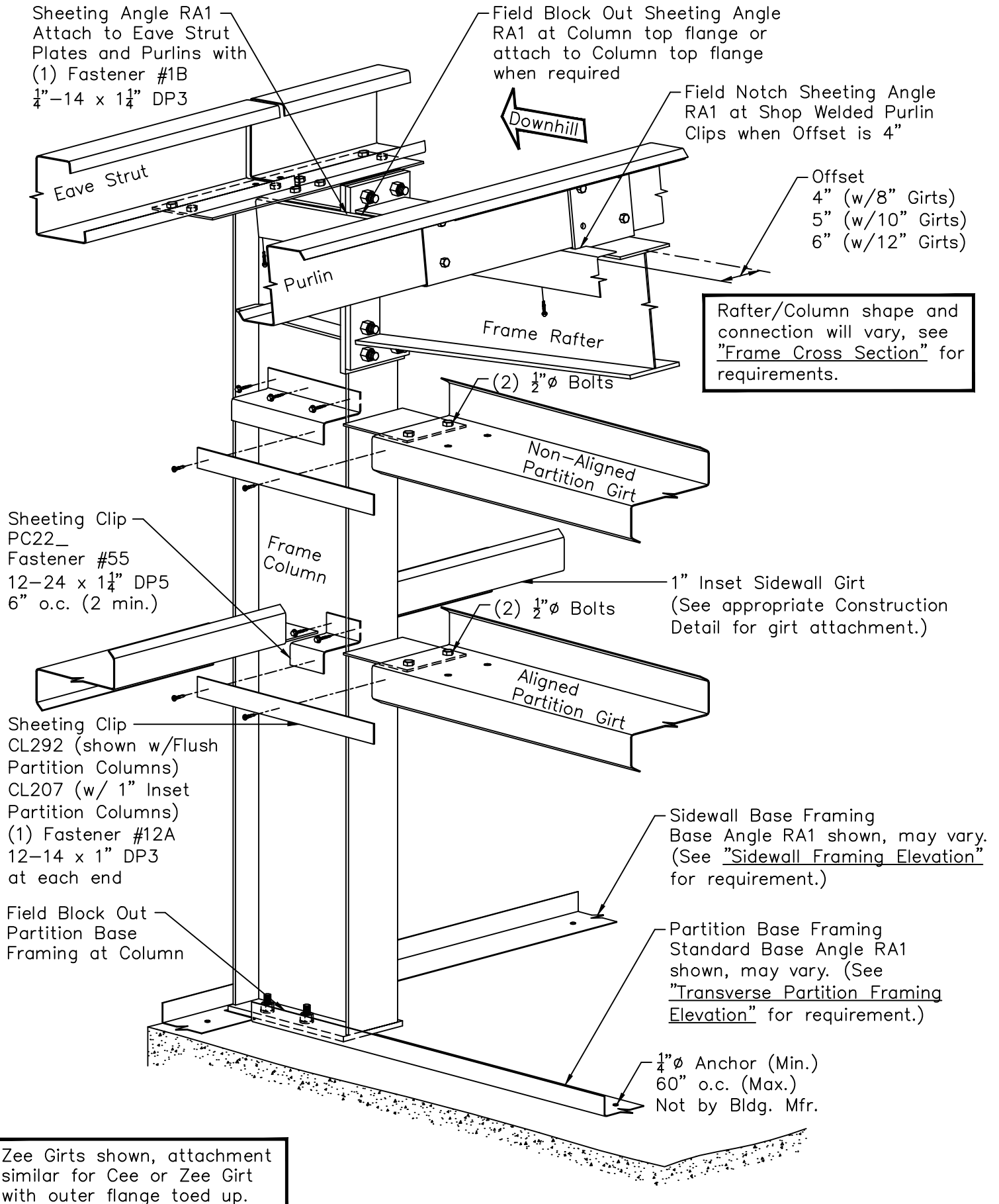


# Flush Transverse Partition - Corner Girt Connections - Deep Column Aligned and/or Non-Aligned Partition Girt with 1" Inset Sidewall Girt



Zee Girts shown, attachment similar for Cee or Zee Girt with outer flange toed up.