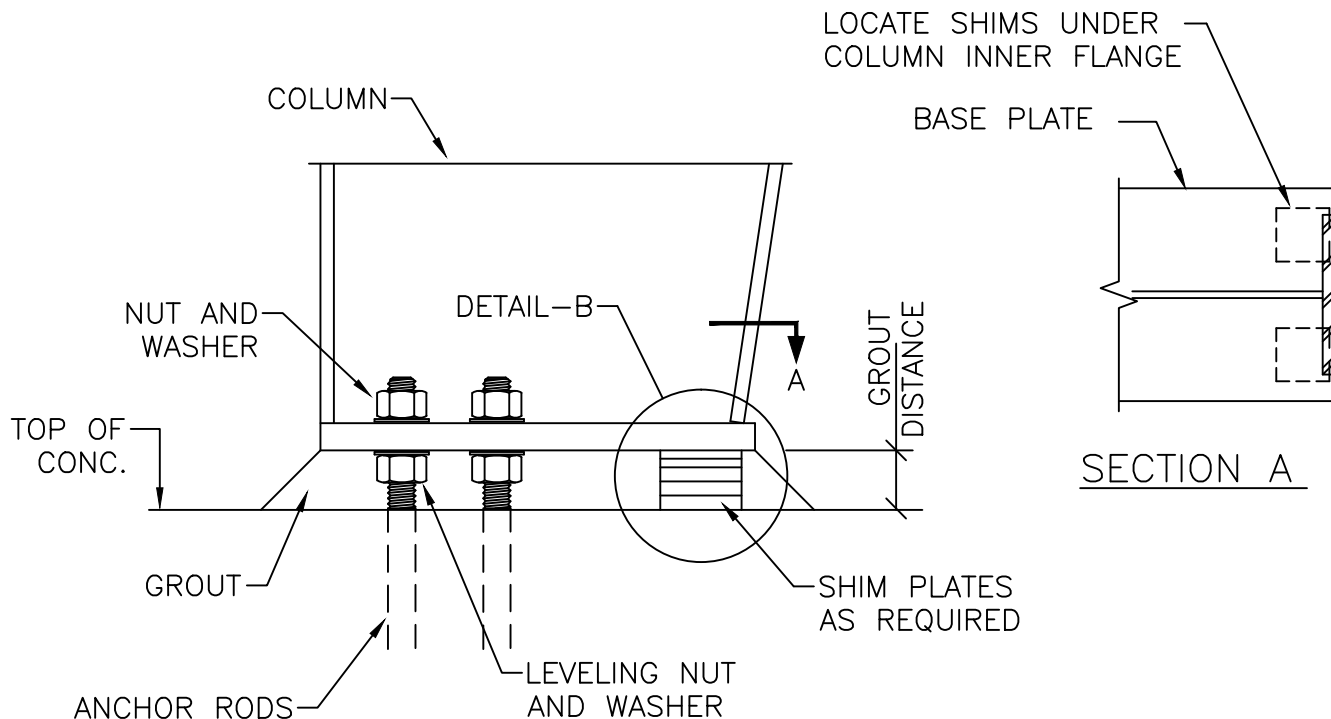


PRIMARY FRAME DETAIL  
GROUT DETAIL WITH LEVELING NUTS  
AND SHIM PLATES

SHT. NO. PF01005	
DATE JUL. 05	REV. 00



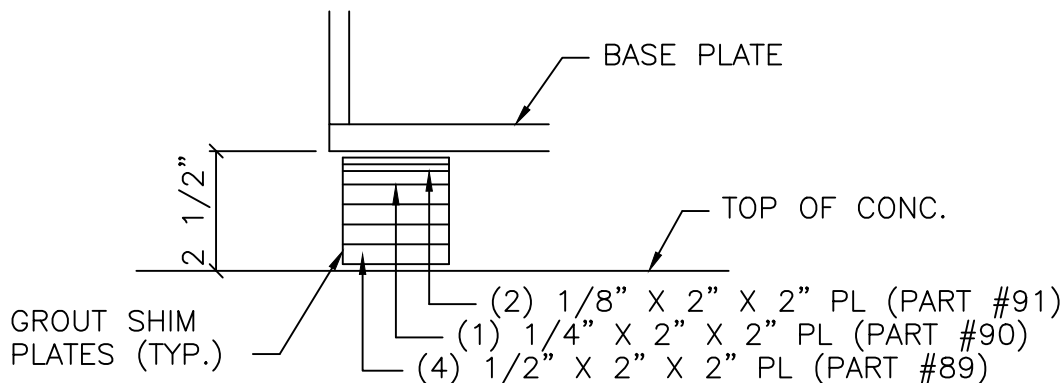
ERECTOR NOTE:

EXCEPT AS NOTED, ALL COLUMNS IN BUILDING ARE TO RECEIVE GROUT.

GROUT IS NOT FURNISHED OR INSTALLED BY CECO.

INSTALL LEVELING NUTS AND WASHERS AT ALL COLUMNS REQUIRING GROUT.

AFTER BUILDING IS PLUMBED AND SHEETED, PACK NON-SHRINK GROUT UNDER EACH COLUMN BASE PLATE.



DETAIL-B  
(EXAMPLE: WITH 2 1/2" GROUT)