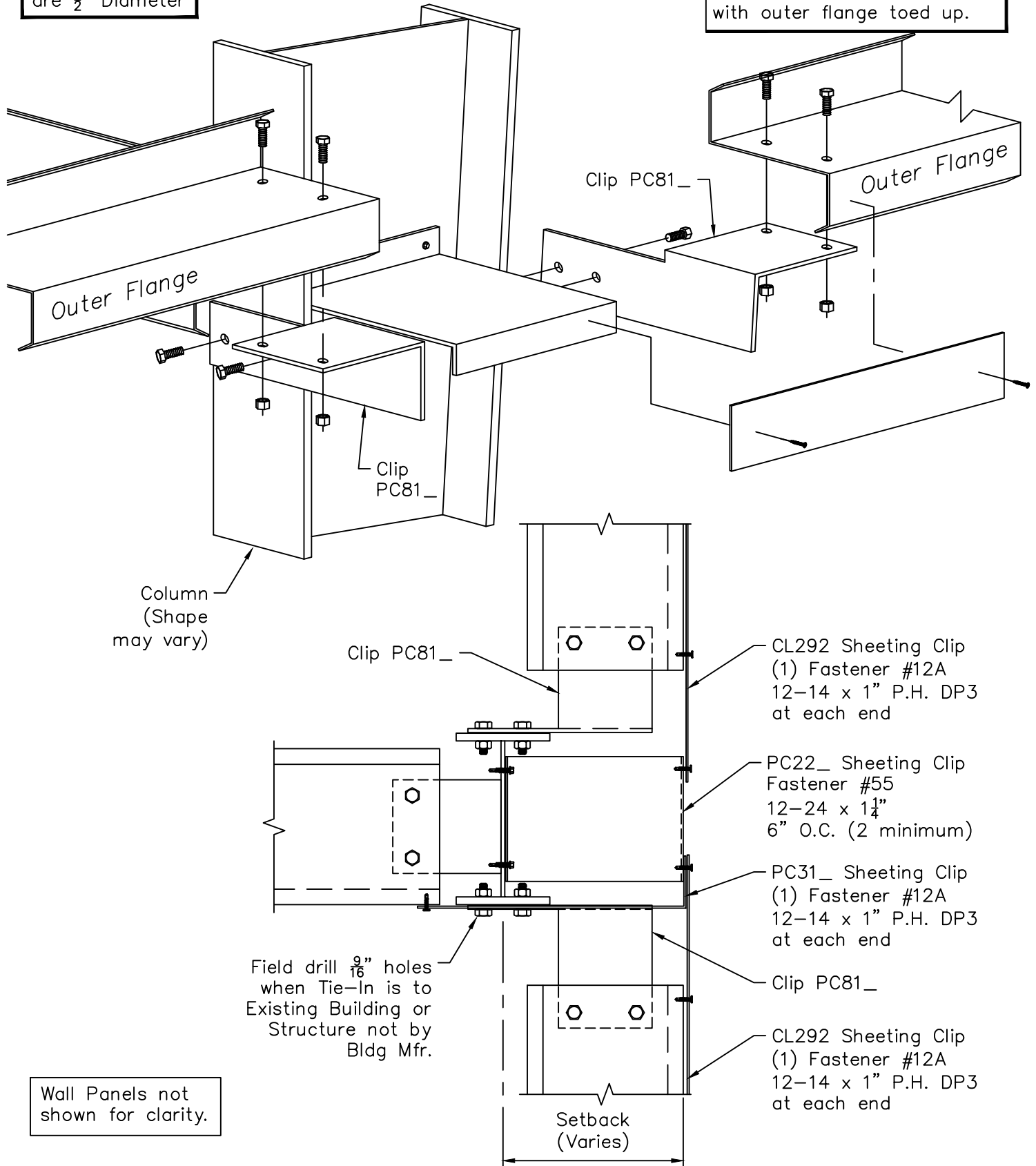


# Girt Tie-In - End Frame - Common Wall Sheeted

## Flush Column - Endwall Girt Does Not Bypass Column Flange

Note: All Bolts are  $\frac{1}{2}$ " Diameter

Zee Girt shown, Tie-in Detail similar for Cee or Zee Girt with outer flange toed up.



Column  
(Shape  
may vary)

Clip PC81\_

Clip PC81\_

CL292 Sheeting Clip  
(1) Fastener #12A  
12-14 x 1" P.H. DP3  
at each end

PC22\_ Sheeting Clip  
Fastener #55  
12-24 x 1 1/4"  
6" O.C. (2 minimum)

PC31\_ Sheeting Clip  
(1) Fastener #12A  
12-14 x 1" P.H. DP3  
at each end

Clip PC81\_

CL292 Sheeting Clip  
(1) Fastener #12A  
12-14 x 1" P.H. DP3  
at each end

Field drill  $\frac{9}{16}$ " holes  
when Tie-In is to  
Existing Building or  
Structure not by  
Bldg Mfr.

Setback  
(Varies)

Wall Panels not  
shown for clarity.