

Girt Tie-In - End Frame - Common Wall Sheeted

Flush or Inset Column - Endwall Girt Does Not Bypass Column Flange

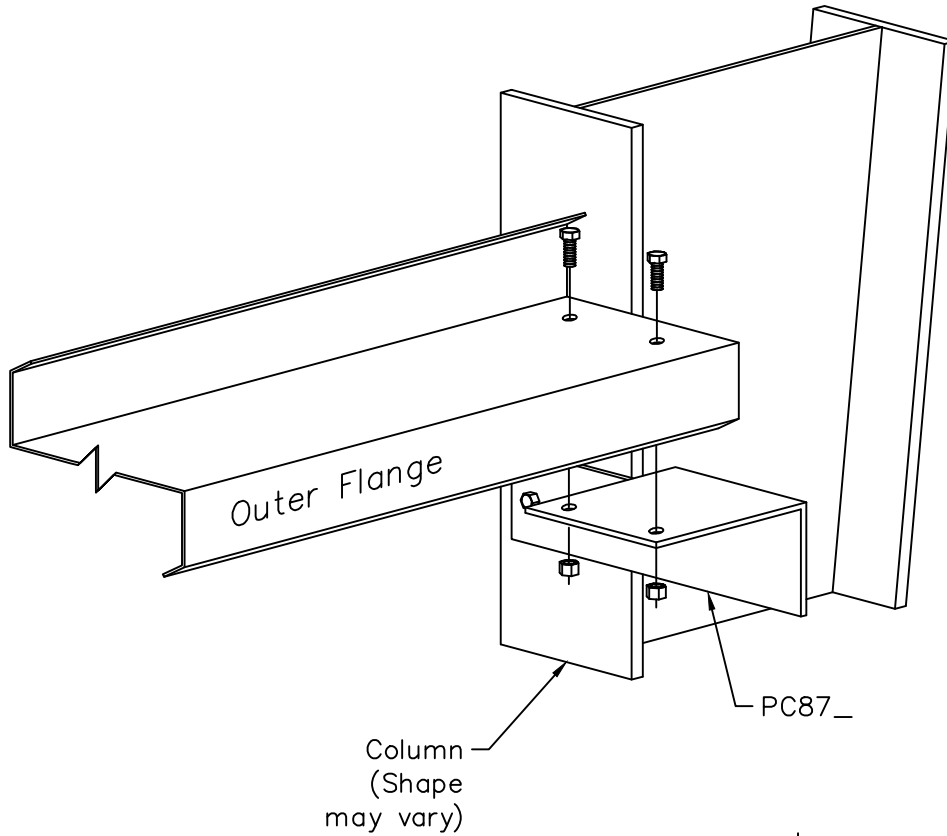
Page
EF04011

Date
Jul '11

Rev.
00

Note: All Bolts
are $\frac{1}{2}$ " Diameter

Zee Girt shown, Tie-in Detail
similar for Cee or Zee Girt
with outer flange toed up.



Field drill $\frac{9}{16}$ " holes
when Tie-In is to
Existing Building or
Structure not by
Bldg Mfr.

Steel/Girt Line

0" at Flush

1" at Inset

PC87_

Setback

Wall Panels not
shown for clarity.

