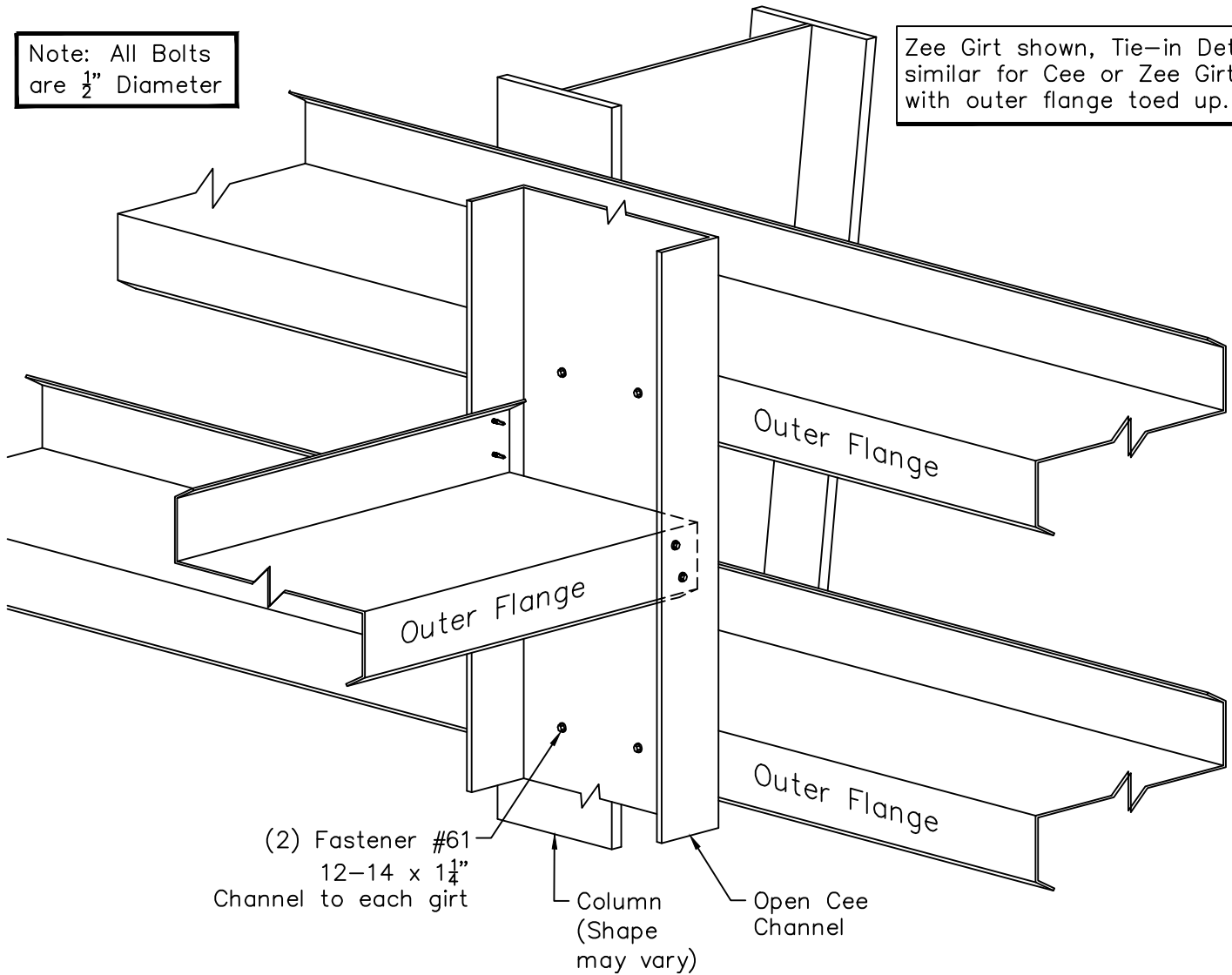


Girt Tie-In - Interior Frame - Common Wall Sheeted Bypass Column - Endwall Girt to Open "C" Channel

Page
EF04007
Date
Jul '11 Rev.
00

Note: All Bolts are $\frac{1}{2}$ " Diameter

Zee Girt shown, Tie-in Detail similar for Cee or Zee Girt with outer flange toed up.



Wall Panels not shown for clarity.

