

# End Frame Bypass Sidewall Girts Endwall Girt Centered on Column Flange

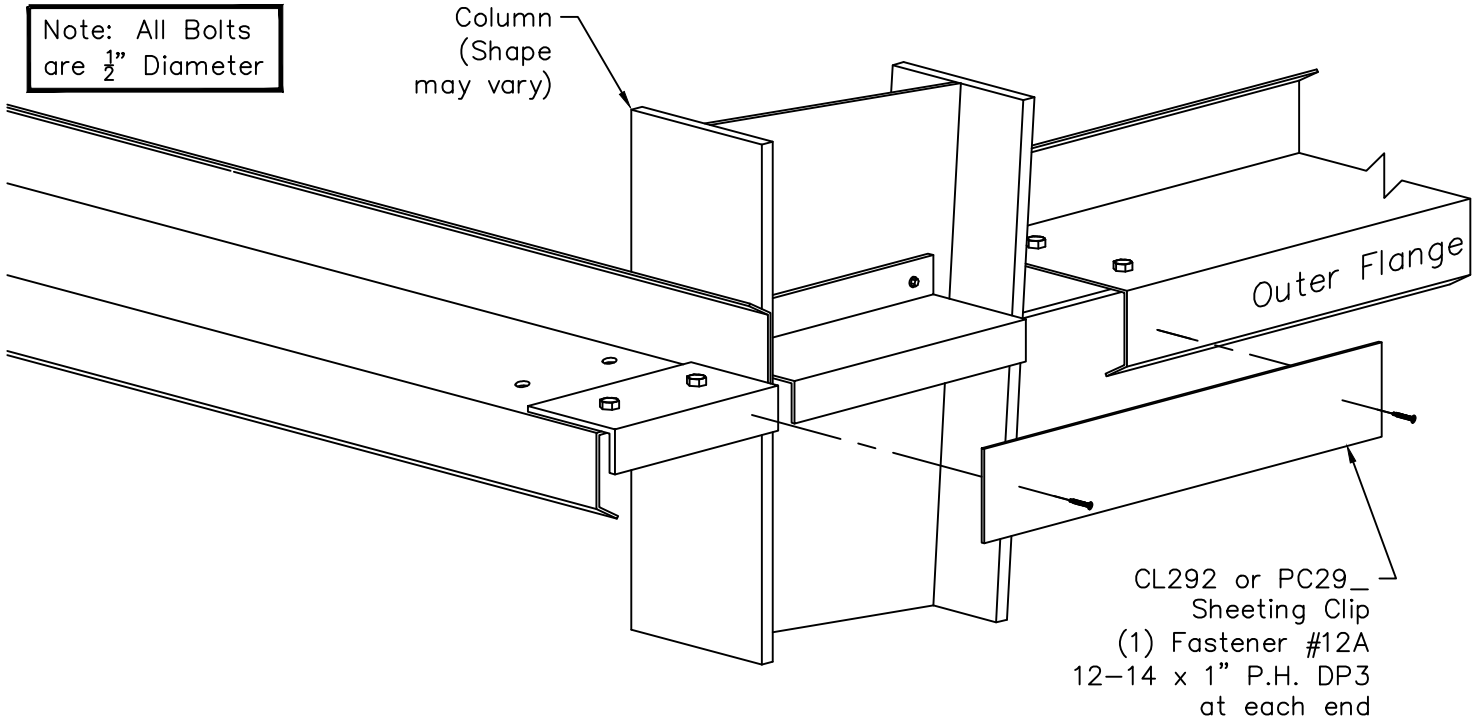
Page  
**EF03014**

Date  
**Sep '11**

Rev.  
**00**

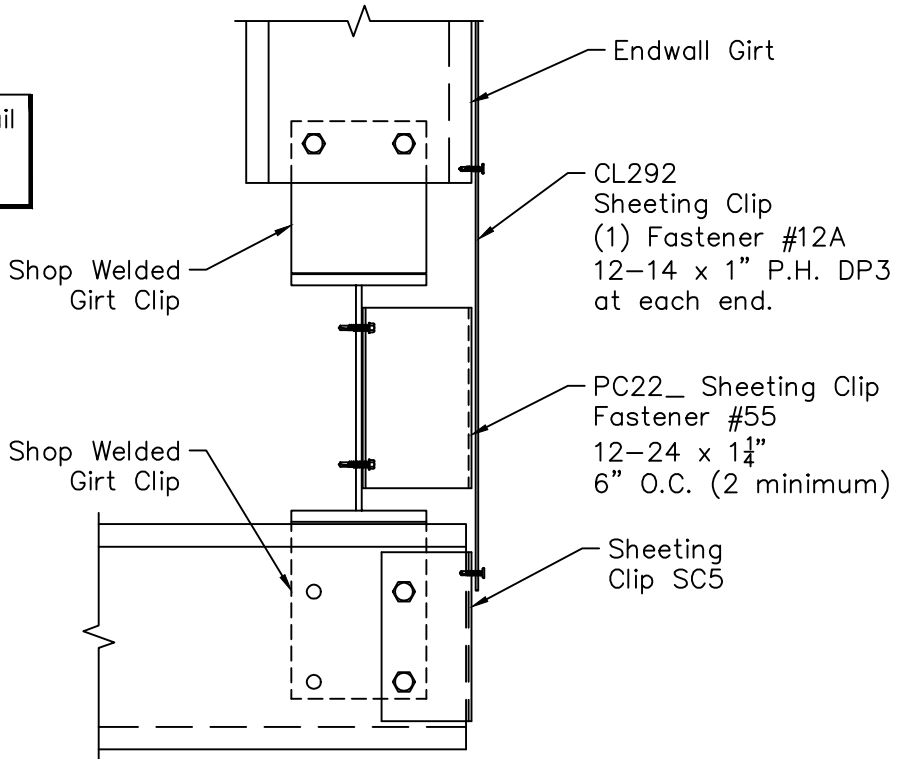
Note: All Bolts are  $\frac{1}{2}$ " Diameter

Column  
(Shape may vary)



CL292 or PC29\_ Sheeting Clip  
(1) Fastener #12A  
12-14 x 1" P.H. DP3  
at each end

Zee Girt shown, Tie-in Detail similar for Cee or Zee Girt with outer flange toed up.



Sidewall

Wall Panels not shown for clarity.