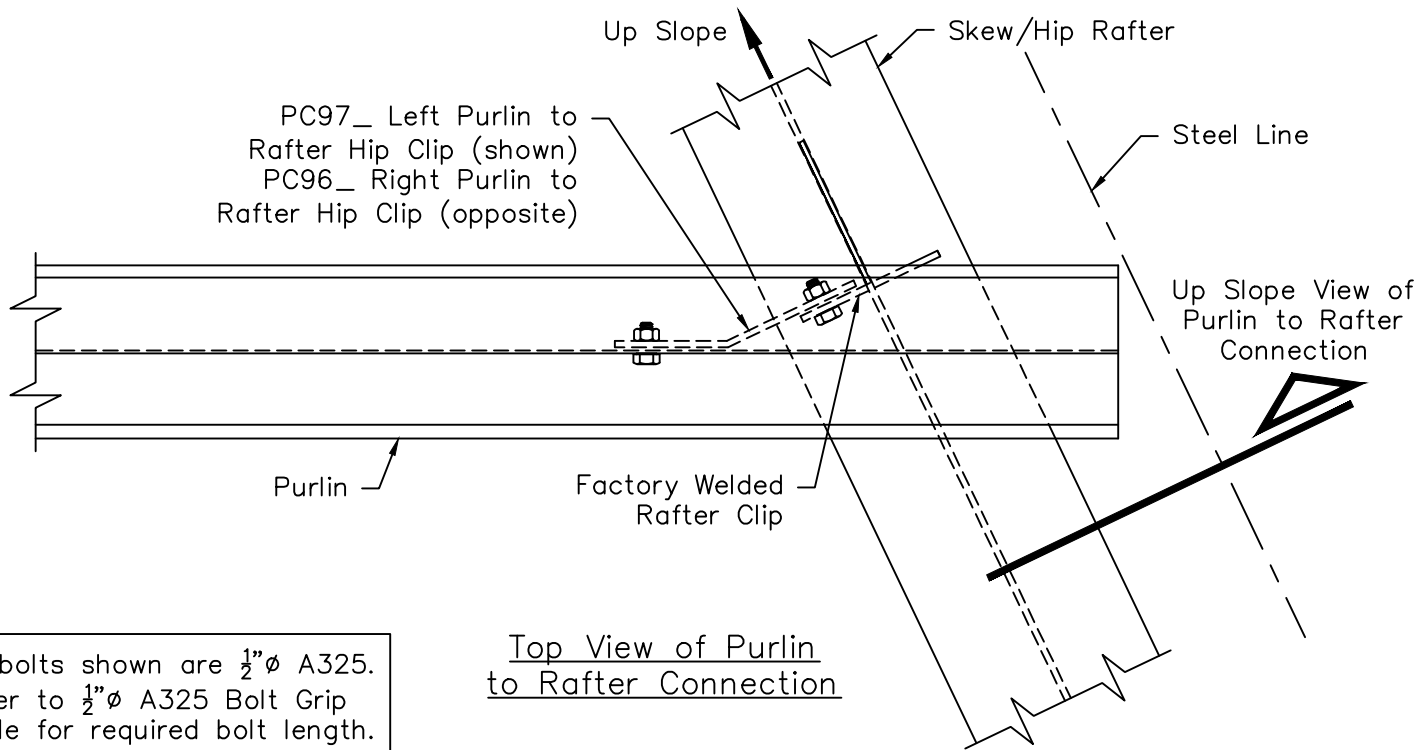
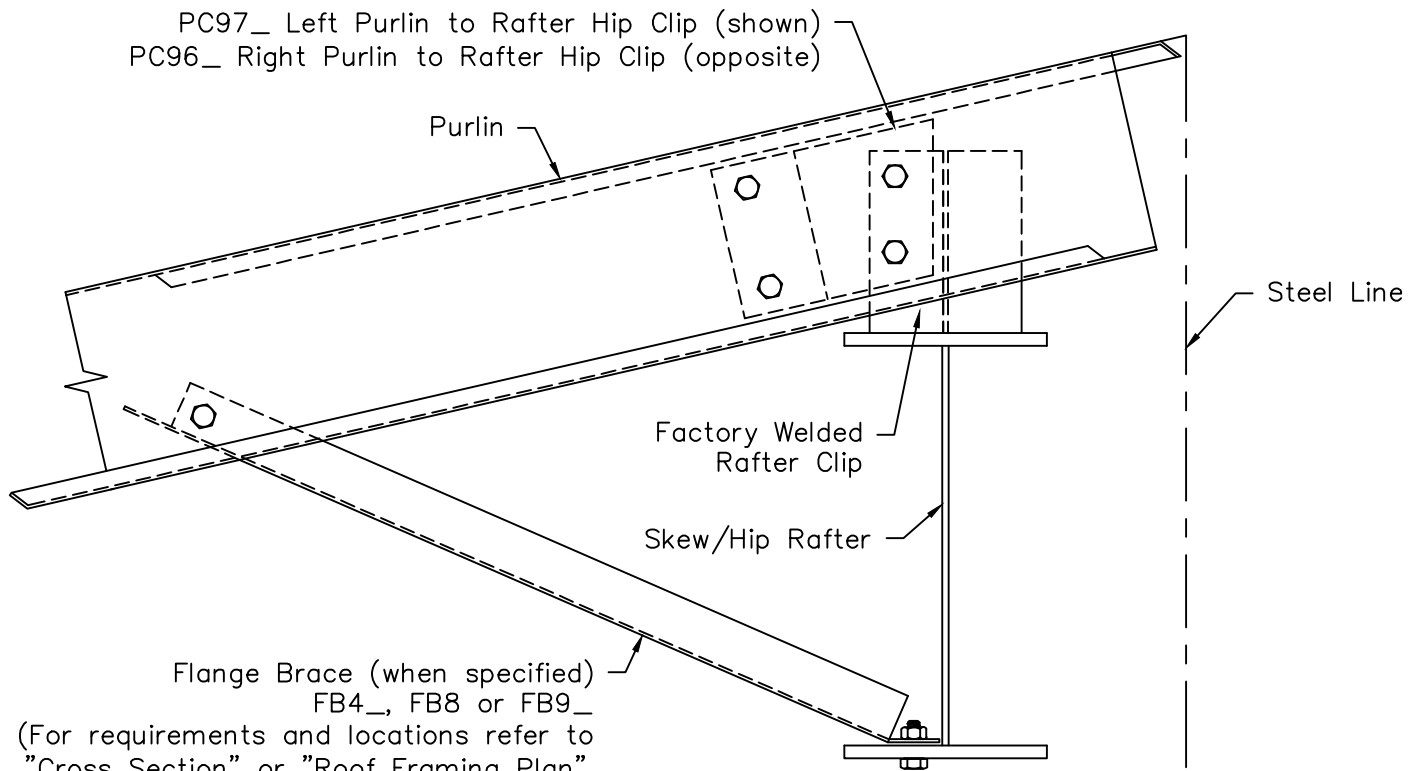


# Skew on Hip side Connection - Purlin to Rafter Hip Clip Details with Standard Flange Brace Connection



All bolts shown are  $\frac{1}{2}'' \phi$  A325.  
Refer to  $\frac{1}{2}'' \phi$  A325 Bolt Grip  
Table for required bolt length.

Top View of Purlin  
to Rafter Connection



Flange Brace (when specified)  
FB4\_, FB8 or FB9\_  
(For requirements and locations refer to  
"Cross Section" or "Roof Framing Plan".  
Attach Flange Brace to Skew/Hip Rafter  
and "Field Bend" to attach to lower  
Purlin web hole located 2'-4 or 5'-0  
from center of Skew/Hip Rafter.)

Up Slope View of Purlin  
to Rafter Connection