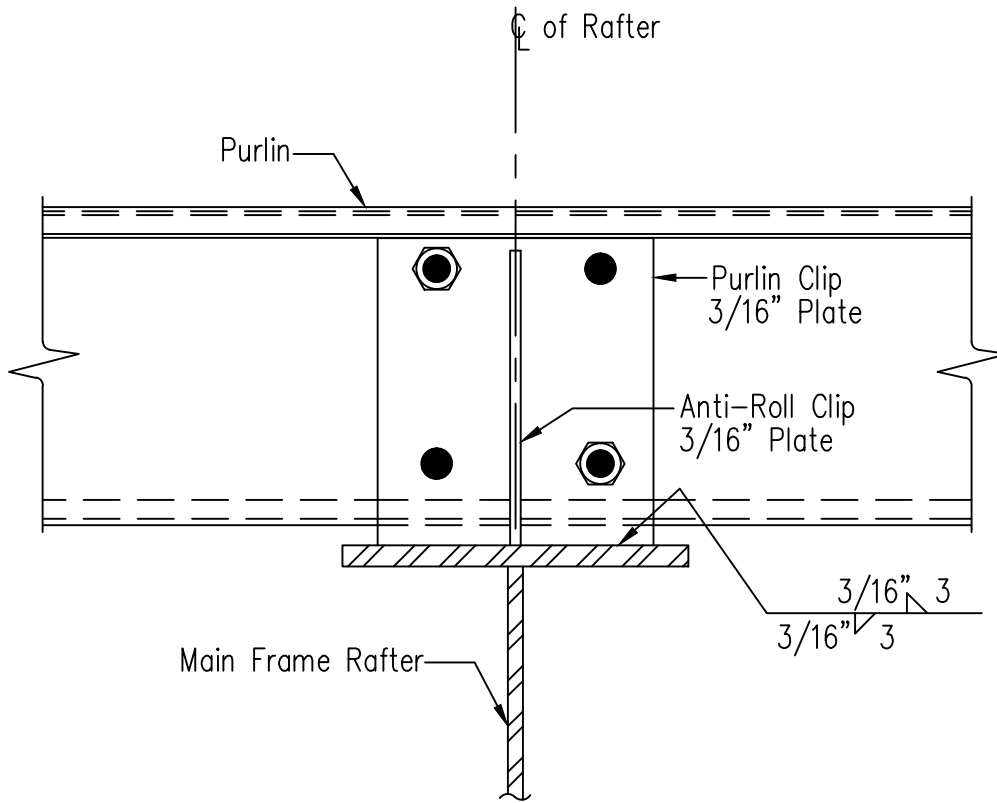
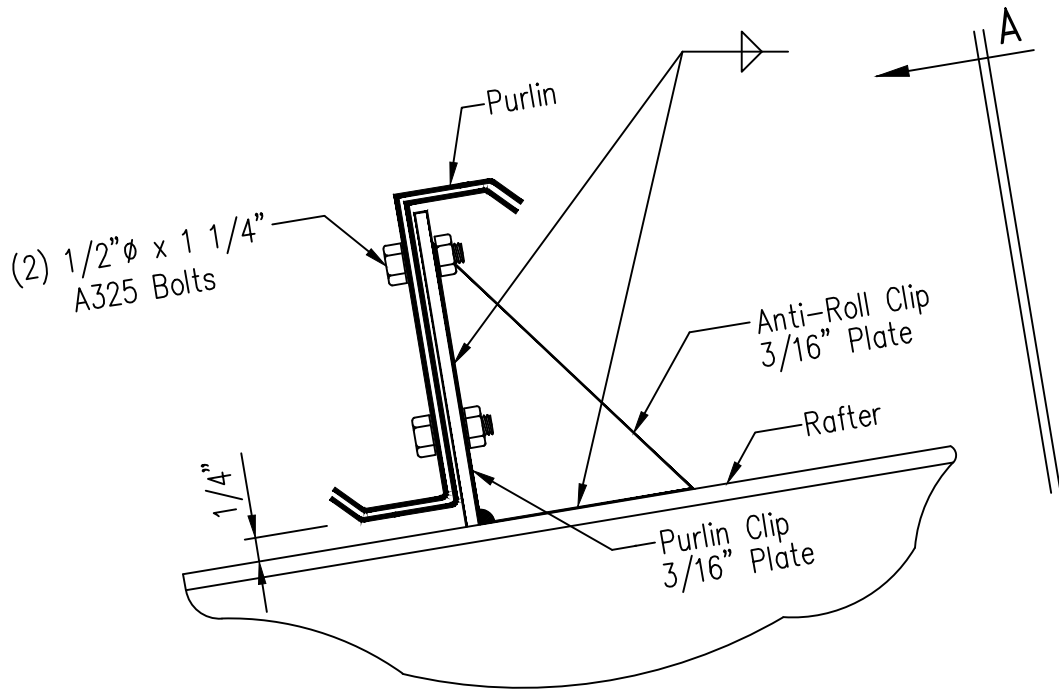


Purlin Anti-Roll Clip (at Built-up/Hot-Rolled Rafter)

SHT. NO. **CF02034**
DATE **Feb '11** REV. NO. **01**



Section A