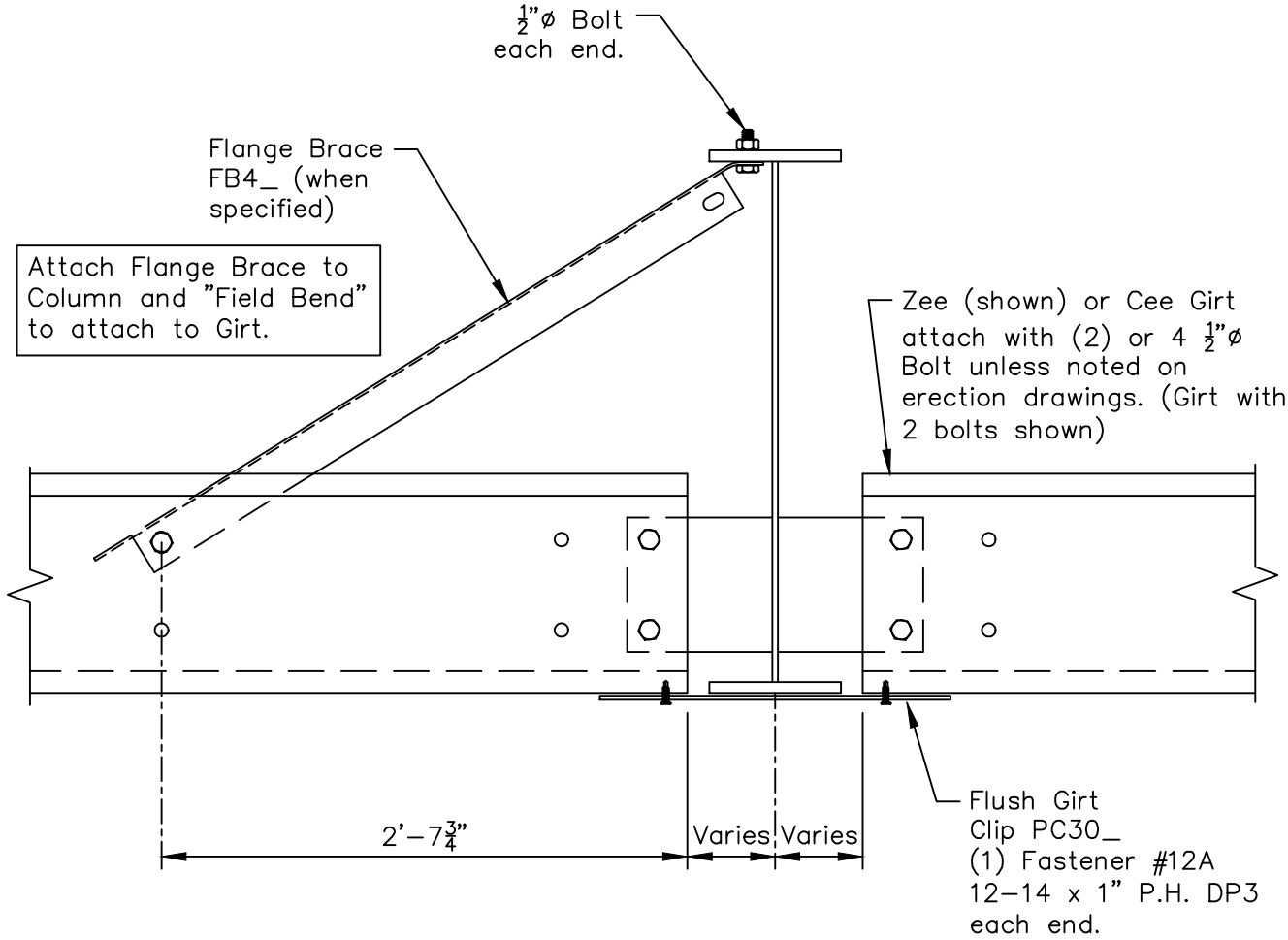


Flush Girt to Column Standard Connection - Flange Brace FB4_

Page **CF01136**

Date **Apr '11** Rev. **01**



Erection Note
 Flange Braces may be required one
 or both sides of Column.
 For requirements, and locations at
 Main Frame and Rigid Frame in
 Endwall refer to "Cross Section".
 For requirements, and locations at
 Bearing Frame Endwall refer to
 "Elevation Plan".