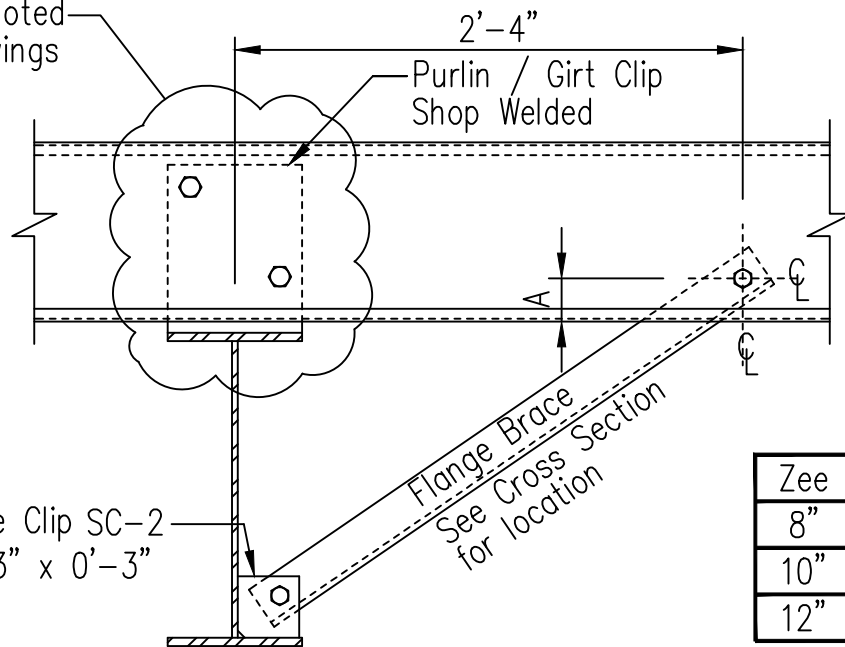


2 Bolts Unless Noted  
on Erection Drawings



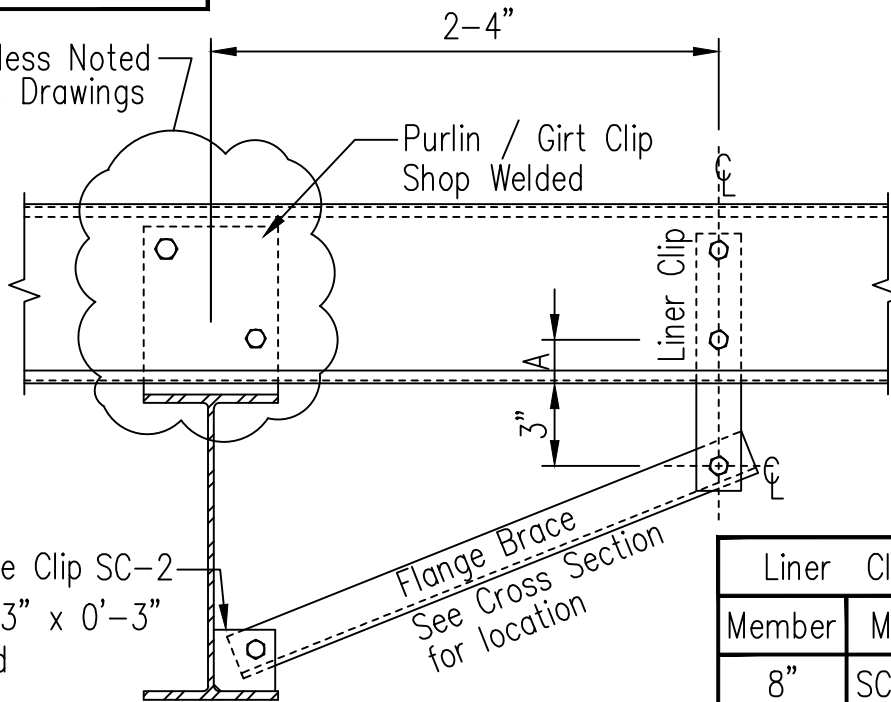
Flange Brace Clip SC-2  
P 3/16" x 3" x 0'-3"  
Shop Welded

Zee	A
8"	2"
10"	3"
12"	4"

All Bolts are 1/2" x 1"  
A307 Without Washers

Without Liner

2 Bolts Unless Noted  
on Erection Drawings



Flange Brace Clip SC-2  
P 3/16" x 3" x 0'-3"  
Shop Welded

Liner	Clip
Member	Mark
8"	SC-22
10"	SC-77
12"	SC-78

With Liner

By-Pass Clip Bolted Flange Brace Detail

Type FB2 or FB5 Flange Brace

08/21/09

Created On: 08/21/09

NOTE: These drawings are intended to depict general installation of item(s) described above. Some item(s) may have been omitted for clarity of presentation. Consult your erection manual or additional SD-Sheets for further guidelines and/or clarifications.

DRAWING NO.

SD6T