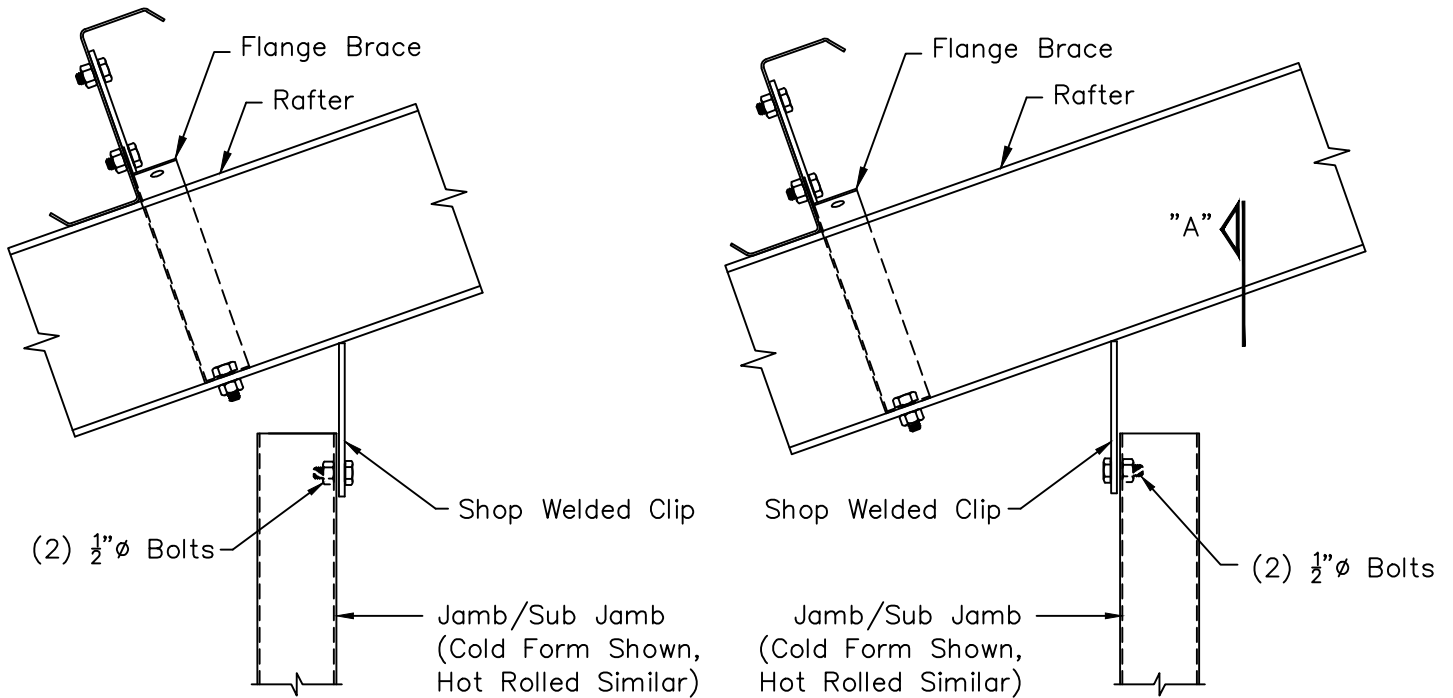


Welded Clips - Framed Opening Connections

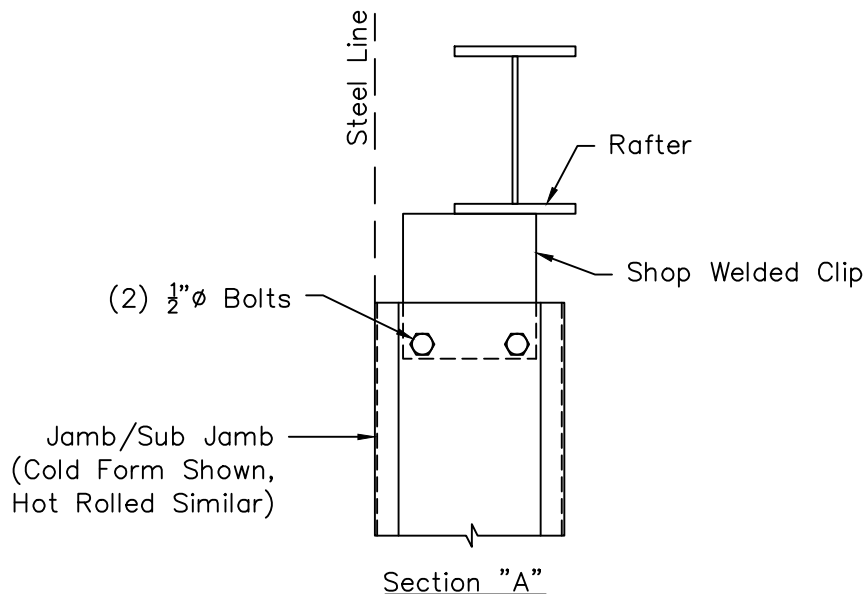
Cold Form and Hot Rolled Cee - Jamb/Sub Jamb to Rafter

Factory and Field Located



Jamb/Sub Jamb to Rafter
 0:12 thru 12:12 Roof Slope
 (Cee to Downhill Side)

Jamb/Sub Jamb to Rafter
 0:12 thru 12:12 Roof Slope
 (Cee to Uphill Side)



Section "A"