

Jamb/Sub Jamb attachment at Slope located between Purlin - Inset Column

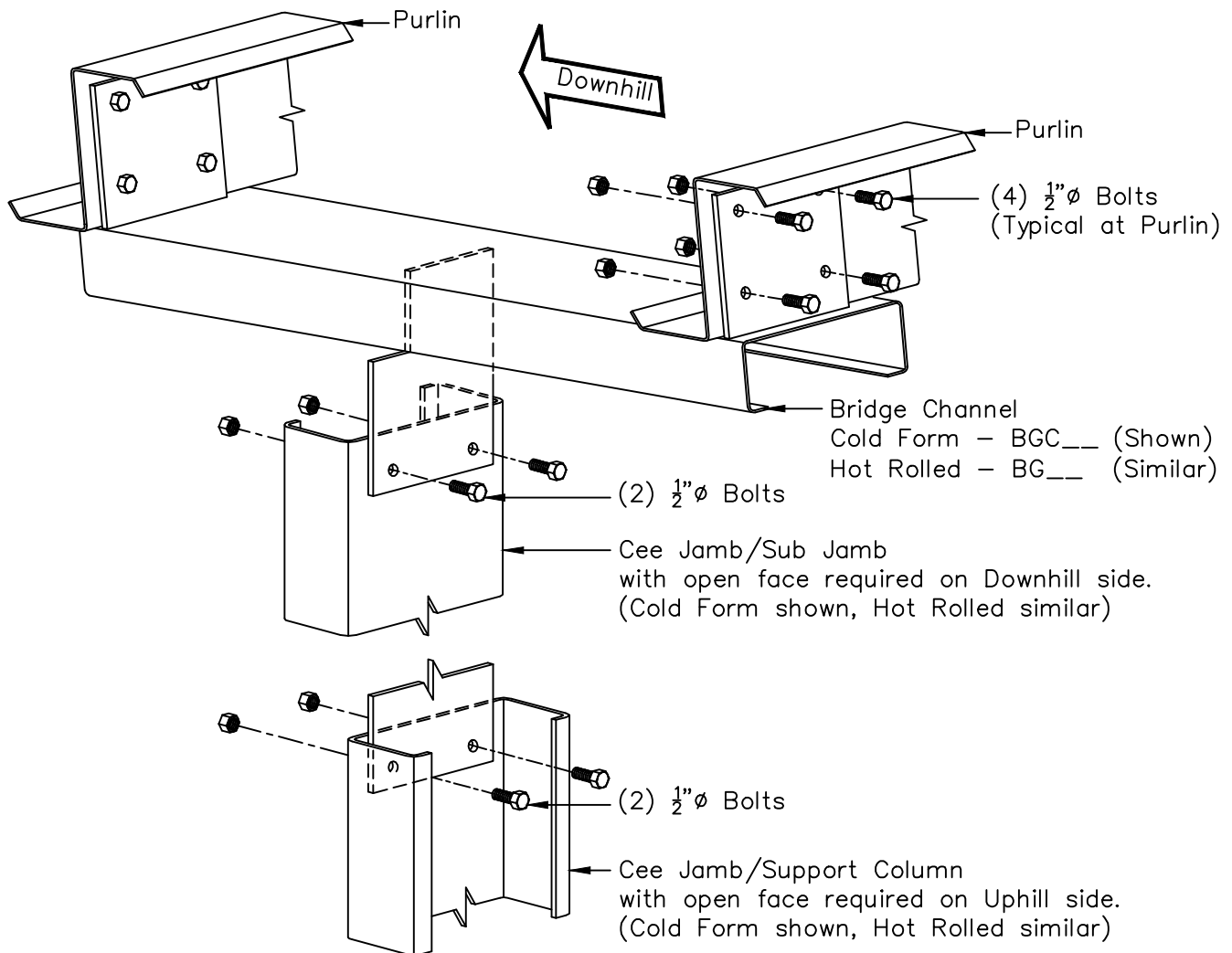
Page
AC00920

Date
Jul '11

Rev.
00

Notes:

- 1.) See EF09102 for Endwall Column attachment when located at same Purlin space (or adjacent Purlin space) as Jamb/Sub Jamb.
- 2.) Bridge Channel may span multiple Purlin spaces when required.
- 3.) Wind Edge Strip Purlins, when required, do not attach to Bridge Channel.
- 4.) Purlins extends past Bridge Channel flange when "Optional" Overhang or Facade is required at endwall.



Note:

Bolt Jamb/Support Columns to
Downhill side of connection plate.