

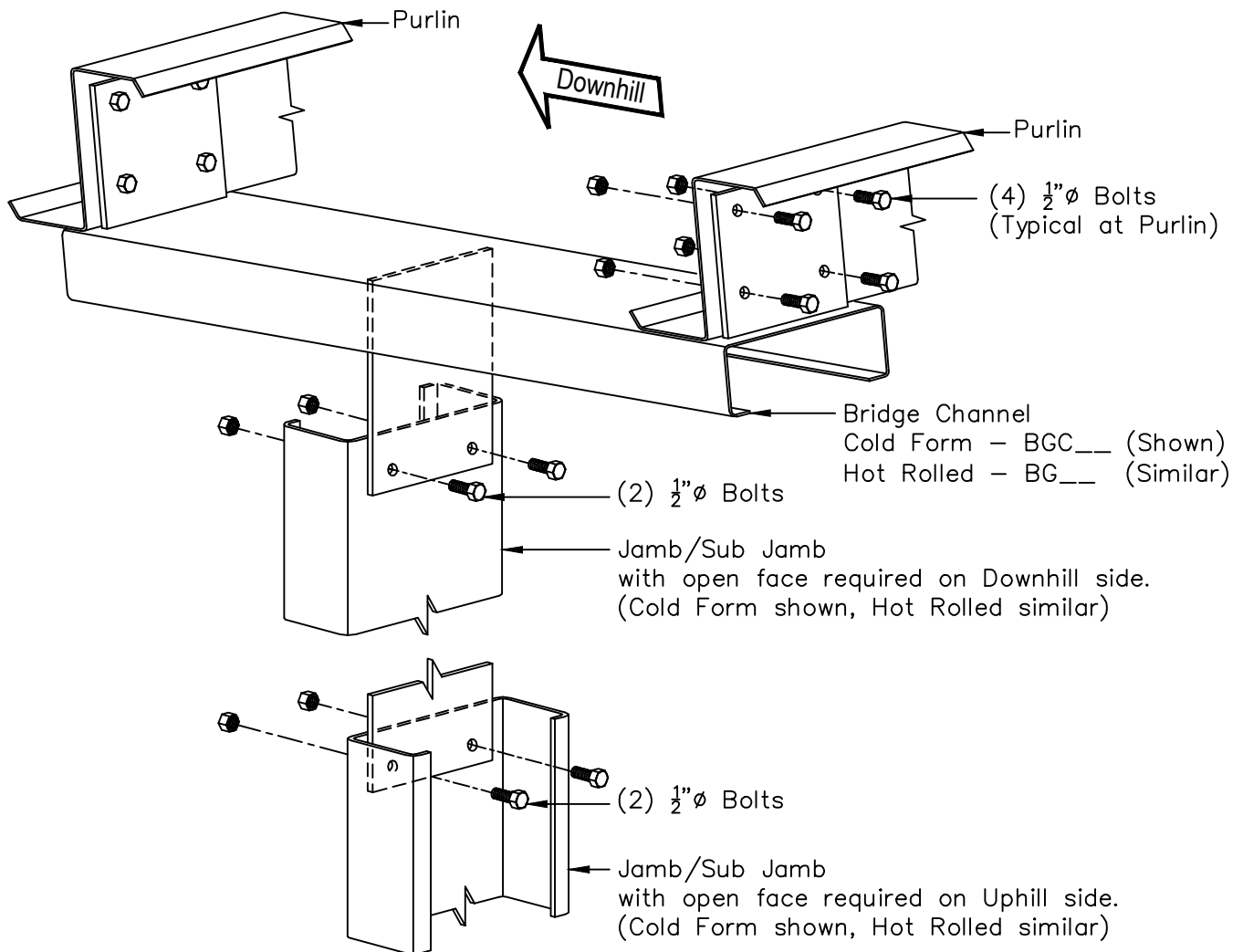
Jamb/Sub Jamb attachment at Slope located between Purlins

SHT. NO. **AC00916**

DATE **Jul '11** REV. NO. **00**

Notes:

- 1.) See EF09102 for Endwall Column attachment when located at same Purlin space (or adjacent Purlin space) as Jamb/Sub Jamb.
- 2.) Bridge Channel may span multiple Purlin spaces when required.
- 3.) Wind Edge Strip Purlins, when required, do not attach to Bridge Channel.
- 4.) Purlins extends past Bridge Channel flange when "Optional" Overhang or Facade is required at endwall.



Note:

Bolt Jamb/Sub Jamb to Downhill side of connection plate.