

# COMMERCIAL/INDUSTRIAL COLOR CHART

## ❖ SIGNATURE® 200 Standard Colors

**SILICONIZED  
POLYESTER**

*Polar White is a Straight Polyester.*

- Final color selection should be made from actual color chips.
- For the most current information available, visit our website at [www.mbc.com](http://www.mbc.com).
- See product selection chart for gauge and color availability.
- All products available in smooth or embossed finish.
- Trim available in all colors.
- All Signature® 300 are low gloss colors.
- A 25-year limited paint warranty available for all colors upon written request except for Scarlet Red and Crimson Red, please inquire. (Outside the continental United States, please inquire.)
- Crimson Red is offered with a 3-year warranty on roof panels and 3-year on sidewall panels.
- Signature® is a registered trademark of NCI Group, Inc. KYNAR 500® is a registered trademark of Arkema, Inc. HYLAR 5000® is a registered trademark of Solvay Solexis.

† Except Crimson Red, which contains more than 0.06 percent lead, none of the other colors shown are lead-containing paints under 13 CFR 1303. Crimson Red should only be used for applications which comply with federal, state and local regulations for lead-containing paint.



HAWAIIAN BLUE  
SR .32 SRI 35



CRIMSON RED†  
SR .38 SRI 42



FERN GREEN  
SR .28 SRI 29



BURNISHED SLATE  
SR .28 SRI 29



ASH GRAY  
SR .48 SRI 56



SADDLE TAN  
SR .48 SRI 56



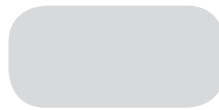
DESERT SAND  
SR .42 SRI 48



KOKO BROWN  
SR .28 SRI 29



CHARCOAL GRAY  
SR .28 SRI 29



POLAR WHITE  
SR .58 SRI 69



RUSTIC RED  
SR .36 SRI 40



LIGHT STONE  
SR .50 SRI 58



GALLERY BLUE  
SR .28 SRI 29

## ❖ SIGNATURE® 300 Standard Colors

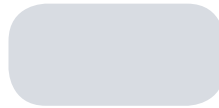
**KYNAR 500®  
HYLAR 5000®**

26 GAUGE MATERIAL  
PBR, PBU, PBA, PBC, PBD Panels only

Low Gloss Colors



MEDIUM BRONZE  
SR .33 SRI 36



SNOW WHITE  
SR .65 SRI 79



SLATE GRAY  
SR .37 SRI 41



ALMOND  
SR .63 SRI 76



CLASSIC GREEN  
SR .28 SRI 29



BROWNSTONE  
SR .47 SRI 54



SCARLET RED  
SR .42 SRI 47



HARBOR BLUE  
SR .28 SRI 29



Houston, TX 877-713-6224  
Adel, GA 888-446-6224  
Atlanta, GA 877-512-6224  
Atwater, CA 800-829-9324

Dallas, TX 800-653-6224  
Indianapolis, IN 800-735-6224  
Lubbock, TX 800-758-6224  
Memphis, TN 800-206-6224

Oklahoma City, OK 800-597-6224  
Omaha, NE 800-458-6224  
Phoenix, AZ 888-533-6224  
Richmond, VA 800-729-6224

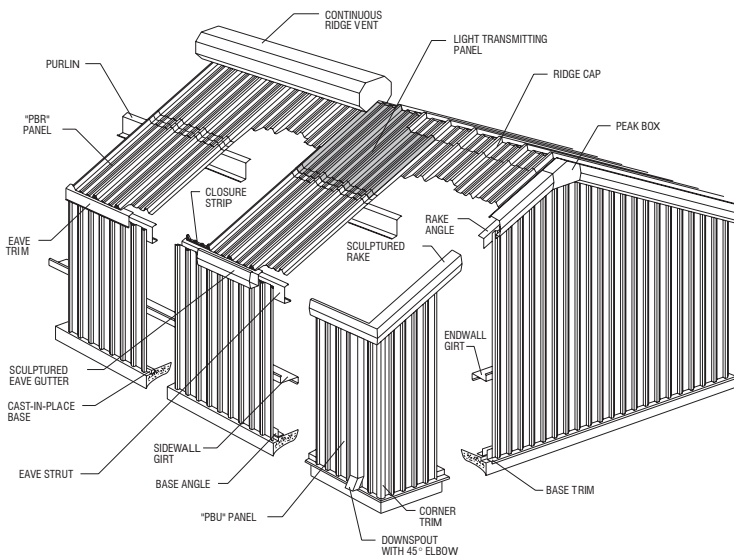
Rome, NY 800-559-6224  
Salt Lake City, UT 800-874-2404  
San Antonio, TX 800-598-6224  
Tampa, FL Sales Office 800-359-6224

For complete performance specifications, product limitations and disclaimers, please consult MBCI's Paint and Galvalume Plus® warranties. Upon receipt of payment in full, these warranties are available upon request for all painted or Galvalume Plus®, prime products. Sample copies can be found at [www.mbc.com](http://www.mbc.com) or contact your local MBCI Sales Representative.

# COMMERCIAL/INDUSTRIAL PANEL PROFILES

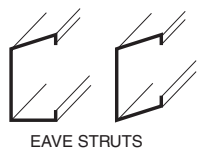
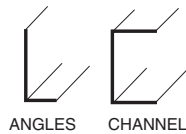
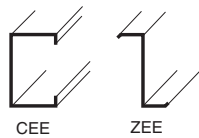
Profile	Panel	29 GAUGE		26 GAUGE		24 GAUGE		22 GAUGE	
		Galvalume Plus®	Sig 200	Galvalume Plus®	Sig 200	Galvalume Plus®	Sig 200	Galvalume Plus®	Sig 200
 *PBR* PANEL	PBR	●	■	●	■	●	■	●	■
 *PBU* PANEL	PBU	●	■	●	■	●	■	●	■
 *PBC* PANEL	PBC	●	■	●	■	●	■	●	■
 *PBD* PANEL	PBD	●	■	●	■	●	■	●	■
 7.2 PANEL	7.2	●	■	●	■	●	■	●	■
 *PBA* PANEL	PBA	●	■	●	■	●	■	●	■

● Available in any quantity ■ May require minimum quantity



## AVAILABLE ACCESSORIES

- Hat and Channel Sections
- Light Transmitting Panels
- Vent
- Roof Jacks
- Fasteners
- Ridge Caps
- Closures
- Doors
- Windows
- Sealants
- Insulation
- Bracing
- Bolts
- Louvers
- Sliding Door Hardware



## What is

### Solar Reflectivity (SR)?

Solar reflectivity or reflectance is the ability of a material to reflect solar energy from its surface back into the atmosphere. The SR value is a number from 0 to 1.0. A value of 0 indicates that the material absorbs all solar energy and a value of 1.0 indicates total reflectance. Energy Star requires an SR value of 0.25 or higher for steep slope (above 2:12) roofing and an SR value of 0.65 or higher for low slope (2:12 or less) roofing. For more information, please go to [www.energystar.gov](http://www.energystar.gov).

## What is

### Solar Reflectance Index (SRI)?

The SRI is used to determine compliance with LEED requirements and is calculated according to ASTM E 1980 using values for reflectance and emissivity. Emissivity is a material's ability to release absorbed energy. To meet LEED requirements, a roofing material must have an SRI of 29 or higher for steep slope (above 2:12) roofing and an SRI value of 78 or higher for low slope (2:12 or less) roofing. For more information, please go to [www.usgbc.org](http://www.usgbc.org).

## SIGNATURE® 200 - SILICONIZED POLYESTER

	SR #	SRI #
HAWAIIAN BLUE	.32	35
CRIMSON RED	.38	42
FERN GREEN	.28	29
BURNISHED SLATE	.28	29
KOKO BROWN	.28	29
CHARCOAL GRAY	.28	29
ASH GRAY	.48	56
SADDLE TAN	.48	56
DESERT SAND	.42	48
POLAR WHITE	.58	69
RUSTIC RED	.36	40
LIGHT STONE	.50	58
GALLERY BLUE	.28	29

## SIGNATURE® 300 - KYNAR 500®/HYLAR 5000®

	SR #	SRI #
MEDIUM BRONZE	.33	36
SNOW WHITE	.65	79
SLATE GRAY	.37	41
ALMOND	.63	76
CLASSIC GREEN	.28	29
BROWNSTONE	.47	54
SCARLET RED	.42	47
HARBOR BLUE	.28	29

