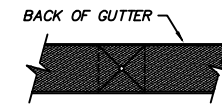


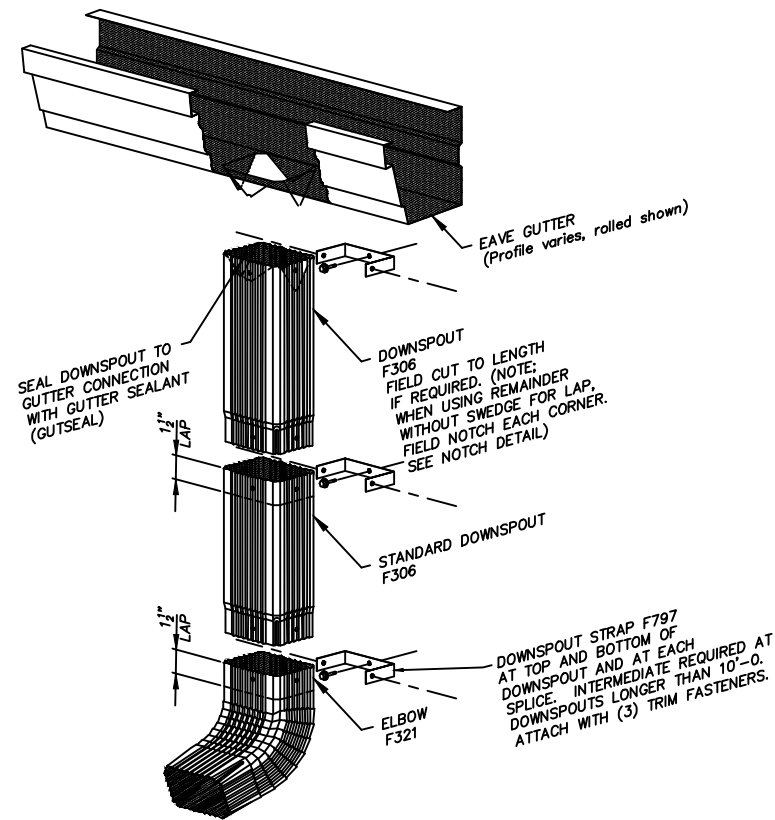
FIELD CUT TOP OF DOWNSPOUT TO FIT BEVEL OF GUTTER. USE DOWNSPOUT AS TEMPLATE TO MARK BOTTOM OF GUTTER. DRILL 3/8" HOLE IN GUTTER AND FIELD CUT AS SHOWN. BEND TABS DOWN AND ATTACH THE DOWNSPOUTS WITH (3) TRIM FASTENERS.

STANDARD DOWNSPOUT ATTACHMENT

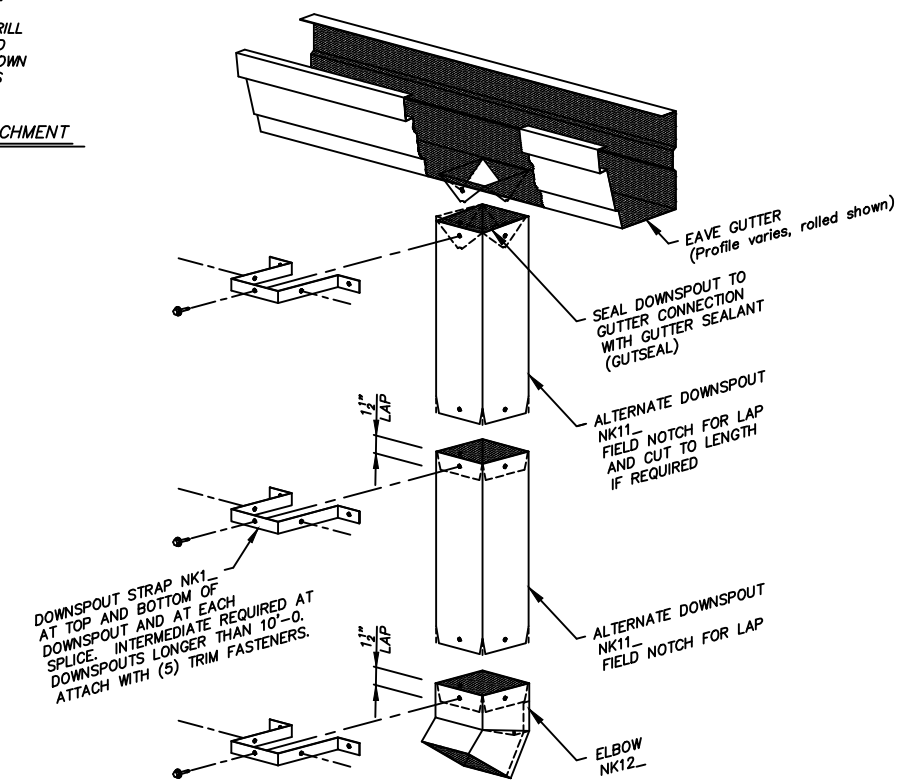


FIELD CUT TOP OF DOWNSPOUT TO FIT BEVEL OF GUTTER. USE DOWNSPOUT AS TEMPLATE TO MARK BOTTOM OF GUTTER. DRILL 3/8" HOLE IN GUTTER AND FIELD CUT AS SHOWN. BEND TABS DOWN AND ATTACH THE DOWNSPOUTS WITH (3) TRIM FASTENERS.

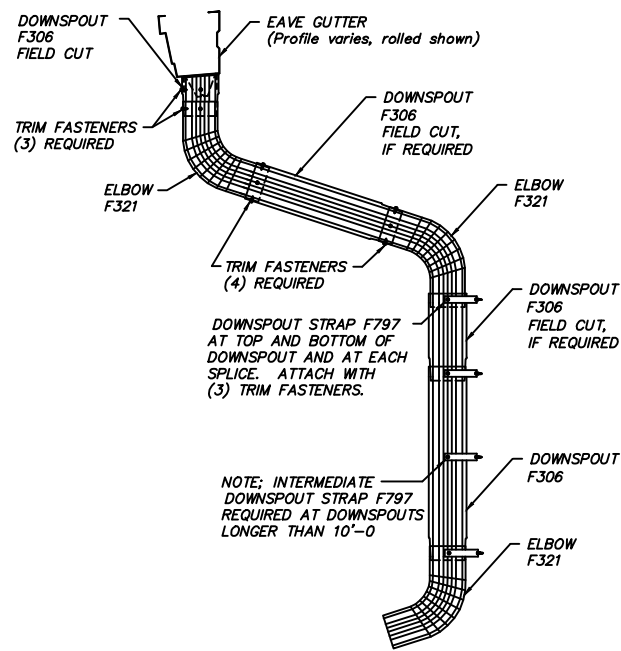
ALTERNATE DOWNSPOUT ATTACHMENT



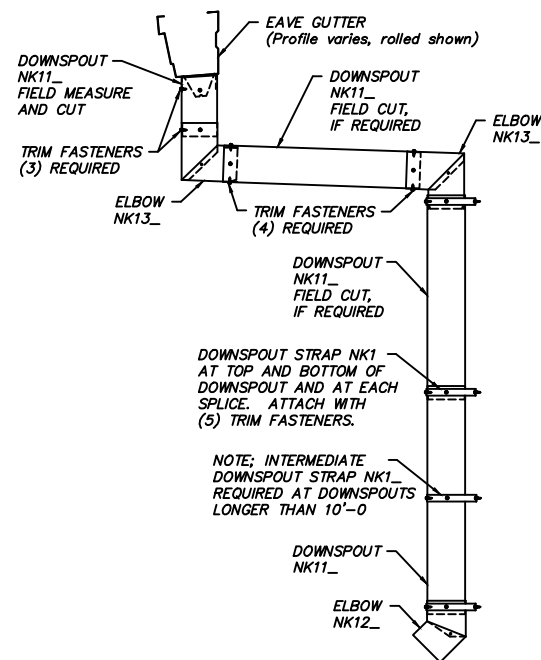
STANDARD DOWNSPOUT DETAIL



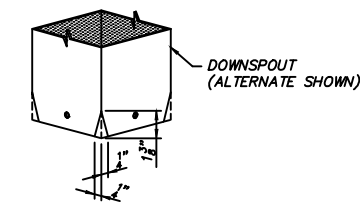
ALTERNATE DOWNSPOUT DETAIL



STANDARD DOWNSPOUT DETAIL AT CANOPY



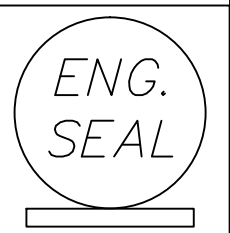
ALTERNATE DOWNSPOUT DETAIL AT CANOPY



DOWNSPOUT NOTCH DETAIL

Notes:

- 1.) Trim parts are provided in Standard Lengths and may require "Field" cutting to required length. (Note! Remainder may be required at a different location.)
- 2.) Some Trim parts are coated with a removable protective film. Under prolonged exposure to direct sunlight film could become brittle and difficult to remove. Keep these parts covered and remove film during erection.
- 3.) Roof and Wall Panels should be cleaned of any drill shavings or field cutting filings each day to prevent rusting and damage to panel finish.



REVISIONS	BY	DATE	NOTES
△ Changes Piece Marks and Downspout Straps	JMM		

THIS DRAWING IS NOT TO SCALE

DRN. BY	DATE
RGB	
CHK. BY	DATE

STAR BUILDING SYSTEMS



a Robertson Ceco company

DOWNSPOUT CONSTRUCTION DETAILS

70.09.01

03/15/10